

## Application

In steam flow measurement special condensate pots are installed in the immediate vicinity of restricting organ. The connection pipes from the restricting device to the condensate pots are full of steam, and from the condensate pot to the meter full of condensate. The condensate pots must be mounted in such a manner that the liquid levels are the same in them. The function of the condensate pots is to condensate steam into a liquid (e.g. to protect the transmitter from heat, to prevent dribbling), to keep the liquid levels unaltered with overflow and to collect air. The condensate water transmits the pressure to the transmitter, so that the transmitter itself is not in contact with steam.

## Construction

Condensing Pots are designed according to DIN 19211. Connections with thread according to DIN 19207 Form R and V. They fulfil the requirements of the PED 97/23/EC.

## Technical specification

**Volume:** 0.3 liters

**Operating pressure, max.:** 100 bar (10 MPa)

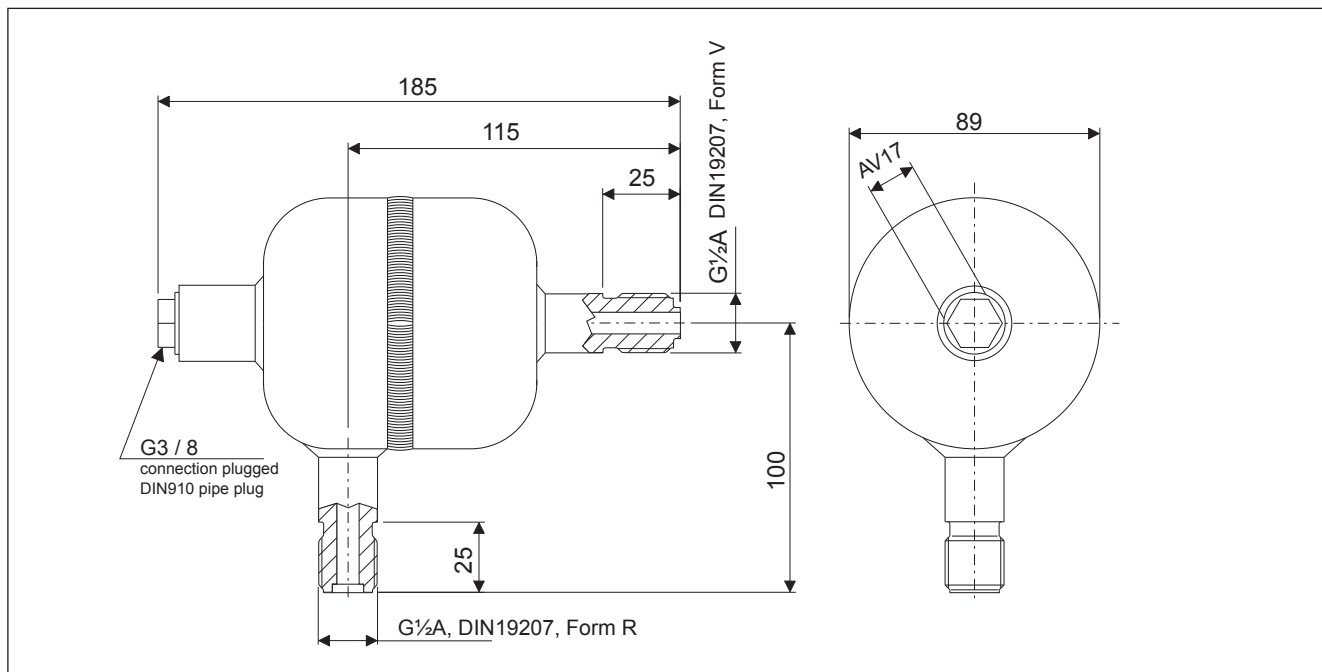
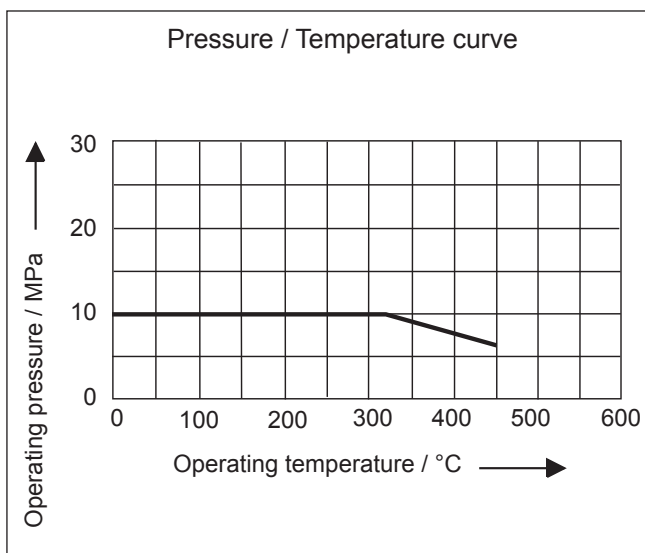
**Operating temperature, max.:** +450°C

### Materials

- housing: HII DIN 17155 (Wnr. 1.0425)
- pipes: St 35.8/II (Wnr. 1.0305)

**Surface handling:** fresh paint

**Weight:** 1.8 kg



We reserve the right to make technical changes without prior notice.