

## JTGRP 保安过滤器 Security Filter

水处理过滤器  
Water treatment precision filter

- JTGRP保安过滤器是专门为水处理领域所设计的保安过滤器。
- JTGRP保安过滤器采用多道抛光处理，保证料液接触面Ra达到 $0.6\mu\text{m}$ 接近卫生级要求，全镜面抛光，完全可以应用在高精度料液过滤。
- JTGRP Security Filter is mainly designed for water treatment field.
- JTGRP Security Filter Housing using multiple polishing process, ensures that the surface Ra reaching  $0.6\mu\text{m}$  up to the sanitary grade requirement, the filter surface is mirror polished. It can be applied in high precised liquid filtration.

### 典型的应用

- 水处理：用于民生生活饮用水过滤R.O逆渗透过滤。
- 食品饮料业：酒类、矿泉水、饮用水的过滤。

### Application

- Water Finish: R.O reverse osmosis filtration for drinking water.
- Food and beverage industry: wine, mineral water, drinking water filtration.

### 产品特点

- 筒体内外表面采用镜面抛光，料液接触面Ra达到 $0.6\mu\text{m}$ 接近卫生级要求。
- 采用花盘上下排液阀形式，排液方便快捷。
- 滤芯密封面采用弹簧式密封，操作方便。

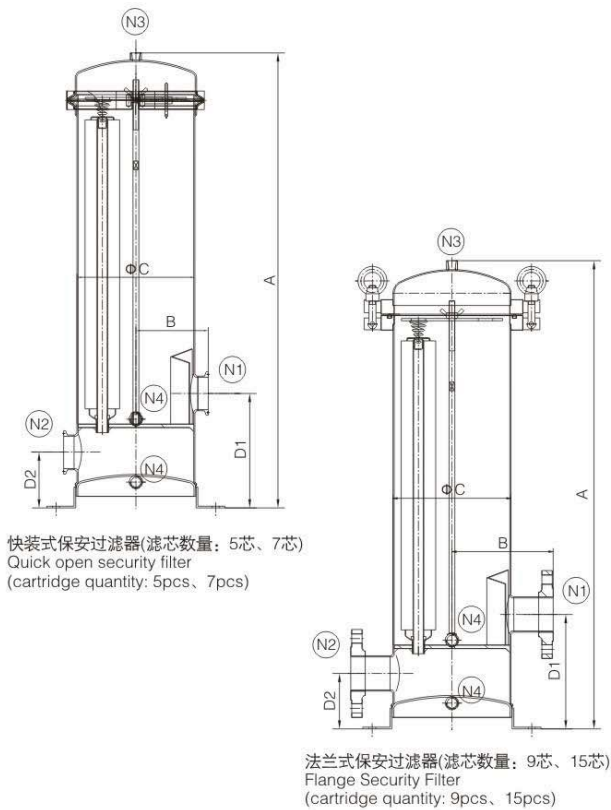
### Feature

- The material liquid contact surface Ra reaching  $0.6\mu\text{m}$  closes to the sanitary grade requirement.
- The filter housing has top and bottom drain valve which drain liquid conveniently and quickly.
- Cartridge sealing surface uses spring type sealing. It's easy to Operate.





## 常规结构 Structure



## 操作条件 Operating Conditions

最大操作压力 Max operating pressure	0.6MPa
最大操作温度 Max operating temperature	140°C

## 材料 Material

过滤器壳体 Shell	304、316L
排液阀 Vent/ Drain valve	304、316L
吊环螺栓 Eyebolt	304
密封圈、垫片 O-ring	三元乙丙橡胶、聚四氟乙烯、氟橡胶、硅橡胶 EPDM, PTFE, Viton, Silicone

## 连接 Connection

壳体连接 Connection of shell	快装、法兰(吊环螺栓) Tri-clamp、Flange(Eyebolt)
进出口N1、N2 In-outlet	法兰/快装/螺纹 Flange, Tri-clamp, Thread
压力表N3(选配) N3 Pressure gauge (option)	1.5"快装 Tri-clamp
排气阀N4(选配) N4 Vent valve (option)	1"快装、螺纹 Tri-clamp, Thread
滤芯接头形式 Cartridges connection	DOE型、222型 DOE Type, 222 Type

## 表面处理 Surface Finish

处理类型 Finish type	机械抛光、电解抛光、喷砂 Mechanical/electrolytical polishing, sand blasting
抛光精度 Polishing precision	内壁 0.6 μm Inner surface Ra ≤ 0.6 μm 外壁 0.8 μm Outside surface Ra ≤ 0.8 μm

## 尺寸参数表 Dimension Parameters

	5芯(4芯) 5R(4R)				7芯 7R		
	10"	20"	30"	40"	20"	30"	40"
A: 总高(不含压力表) Total height	570	820	1070	1320	820	1070	1320
B: 进口中心距 The distance from inlet to center	175(法兰) Flange, 125(快装) Tri-clamp, 130(螺纹) Thread				190(法兰) Flange, 140(快装) Tri-clamp, 145(螺纹) Thread		
C: 直径 Shell diameter	Φ204				Φ235		
D1: 进口N1离地高度 The height from inlet to ground	178				178		
D2: 出口N2离地高度 The height from outlet to ground	76				76		
N1、N2: 进出口尺寸 In-outlet N1、N2 size	2"				2"		

上表数据为标准型快装式保安过滤器, 仅供参考, 可根据客户要求定制; 未注长度单位为mm。  
The above-mentioned data is the standard, it can customize according to customer's requirements.

## JTGRP 选型表 Selection Table

[ 滤芯数量 Qty. of cartridge ]	[ 滤芯型号 Model of cartridge ]	[ 滤芯接头 Cartridges connection ]	[ 壳体材料 Shell Material ]	[ 进出口连接 In-outlet connection ]	[ 密封圈 O-ring ]
7R	20	T	4	L	E
5R=5芯(4芯) Pcs	10=10" 滤芯 Cartridge	T=222型 Type	4= 304	F=法兰 Flange	E=三元乙丙橡胶 EPDM
7R=7芯 Pcs	20=20" 滤芯 Cartridge	D=DOE型 Type	6= 316L	K=快装 Tri-clamp	P=聚四氟乙烯 PTFE
9R=9芯 Pcs	30=30" 滤芯 Cartridge			L=螺纹 Screw thread	V=氟橡胶 Viton
15R=15芯 Pcs	40=40" 滤芯 Cartridge				S=硅橡胶 Silicone