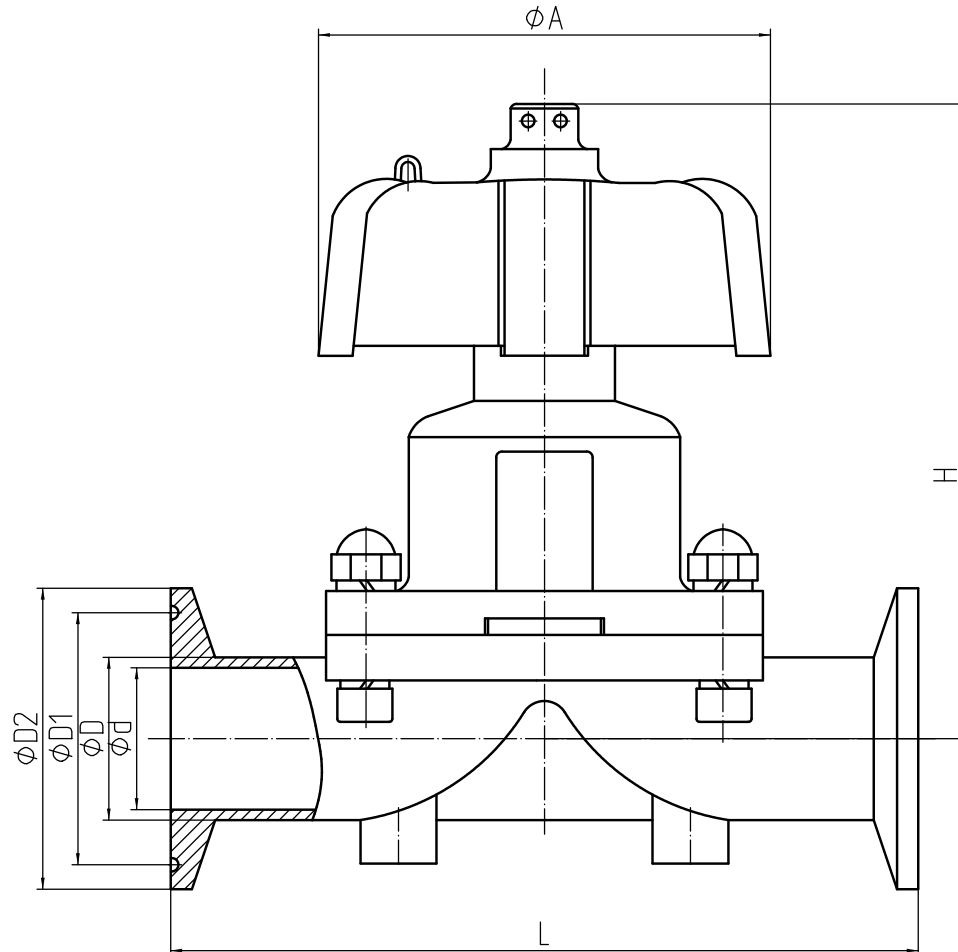
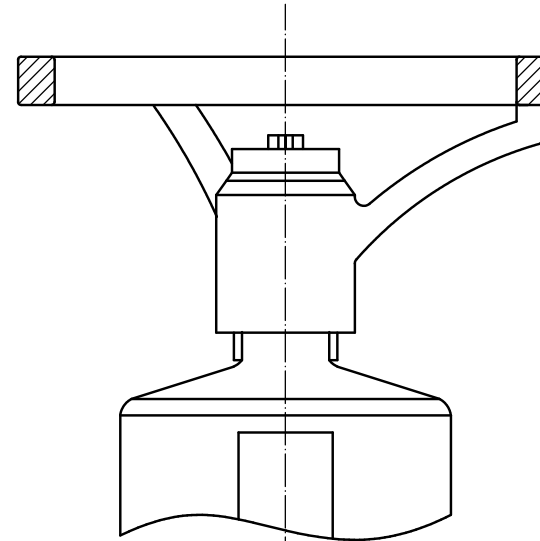


MT-D7



DN8-50



DN65-80

Technical parameters

Medium temperature	-20°C~+180°C
Ambient temperature	-20°C~+60°C
Nominal pressure	1.6MPa
Control gas	gas or air
Air pressure	0.3MPa-0.8MPa
Seal materia In cylinder	NBR/FKM

Size	L	d	D	D1	D2	A	H
8	89	8	12	20.2	25.2	35	80
10	89	10	14	20.2	25.2	35	80
15	108	15	19	43.5	50.5	64	98
20	117	15.75	19.5	43.5	50.5	90	115
25	127	22.1	26	43.5	50.5	90	120
32	150	28	35	43.5	50.5	114	125
40	159	34.8	39	43.5	50.5	114	140
50	190	47.5	53	56.5	64	114	155
65	216	60	66	70.5	77.5	195	248
80	254	73	79	83.5	91	195	256

ZHEJIANG MINTN VALVE CO., LTD.

Describe	Manual Diaphragm Valve
Model	M T - D 7
Web	www.mintn.com
TEL	+86-577-55558668