

# Transparent type level gauge

## Model : L200 series

Spec. sheet no. LD02-01

### Description

Designed for a wide range of pressure and temperature applications. The transparent type level gauge is suitable for observation of the level of corrosive and colored liquids. The type is preferably used for reservoir tanks that require a comparatively long visible length. This type of level gauge utilizes two pieces of tempered flat gauge glasses, each of which is placed in front and rear of gauge body and is sandwiched by gauge covers and tightened by bolts from both sides of the gauge.



### Type

**Chamber material**

Carbon steel, Stainless steel

**Max. pressure**

4 MPa

**Vessel connection**

½" ~ 1"

**Chamber material**

Carbon steel, Stainless steel

**Max. pressure**

10 MPa

**Vessel connection**

½" ~ 1"

**Chamber material**

Carbon steel, Stainless steel

**Max. pressure**

24 MPa

**Vessel connection**

½" ~ 1"

### Specification

**Material**

Carbon steel

LTCS

Stainless steel

A182-F11, 22, 5, 9, 91 and Monel

Titanium

Hastelloy

Alloy-20, etc.

**Visible length**

90 ~ 3,510 mm

**Max. No. of section**

10 sections

**Vessel connection**

¾" or 1" flanged ANSI 150 ~ 2,500 Lb

**1. Base model**

- L200** Transparent type level gauge  
**L210** Large chamber type transparent level gauge  
**L220** Zig-zag type transparent level gauge

**2. Vessel connection size**

ANSI		JIS	
<b>AA</b>	½" 150 Lb RF	<b>JA</b>	15A 10K RF
<b>AB</b>	½" 300 Lb RF	<b>JB</b>	15A 20K RF
<b>AC</b>	½" 600 Lb RF	<b>JC</b>	15A 30K RF
<b>AD</b>	¾" 150 Lb RF	<b>JD</b>	20A 10K RF
<b>AE</b>	¾" 300 Lb RF	<b>JE</b>	20A 20K RF
<b>AF</b>	¾" 600 Lb RF	<b>JF</b>	30A 30K RF
<b>AG</b>	1" 150 Lb RF	<b>JG</b>	25A 10K RF
<b>AH</b>	1" 300 Lb RF	<b>JH</b>	25A 20K RF
<b>AI</b>	1" 600 Lb RF	<b>JI</b>	25A 30K RF
<b>AJ</b>	1½" 150 Lb RF	<b>JJ</b>	40A 10K RF
<b>AK</b>	1½" 300 Lb RF	<b>JK</b>	40A 20K RF
<b>AL</b>	1½" 600 Lb RF	<b>JL</b>	40A 30K RF
<b>AM</b>	2" 150 Lb RF	<b>JM</b>	50A 10K RF
<b>AN</b>	2" 300 Lb RF	<b>JN</b>	50A 20K RF
<b>AO</b>	2" 600 Lb RF	<b>JO</b>	50A 30K RF
<b>AP</b>	½" NPT	<b>JP</b>	½" PT
<b>AQ</b>	¾" NPT	<b>JQ</b>	¾" PT
<b>OH</b>	Other		

**3. Vessel connection type**

- A** Flanged  
**B** Union and screwed  
**O** Other

**4. Hook-up**

- B** Top and bottom  
**L** Side and side (Left)  
**R** Side and side (Right)  
**O** Other

**5. Gauge connection**

- G** Gland  
**U** Union  
**S** Screwed  
**O** Other

**6. Gauge valve**

- S** Straight  
**O** Off-set  
**N** None

**7. Center to center (mm)**

**XXXX**

**8. Chamber material**

- CS** Body - Carbon steel / Cover - Carbon steel  
**SS** Body - 304SS / Cover - 304SS  
**ZZ** Other

**9. Drain end**

- D** Dust-proof cap inserted  
**P** With plug  
**O** Other

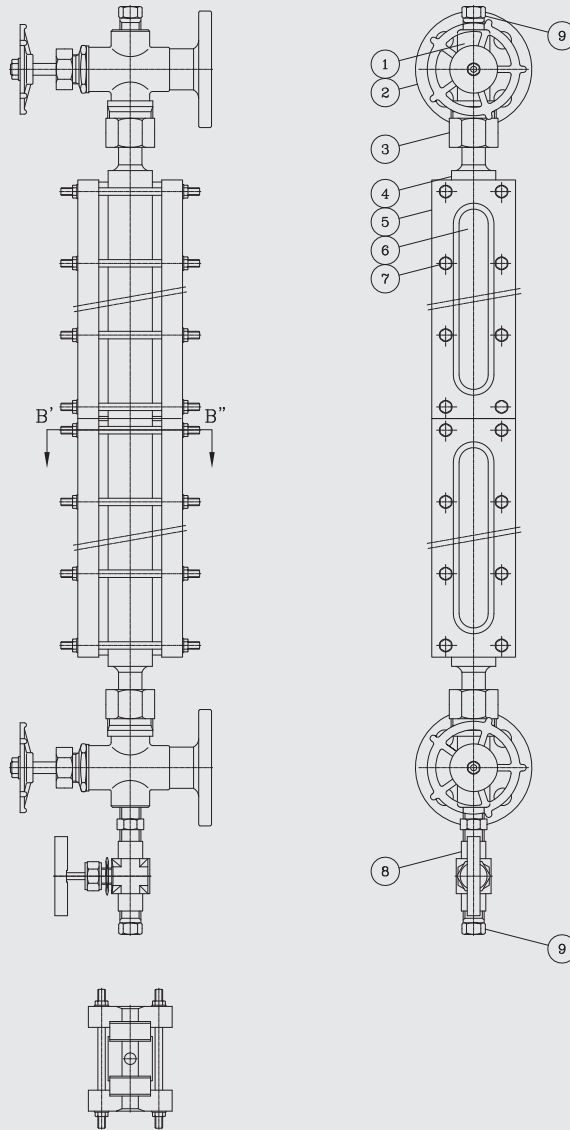
**10. Option**

- SP** Scale plate  
**IL** Illuminator  
**LN** Lining  
**JK** Jacketing  
**NF** Non-frosting  
**OH** Other  
**NA** None

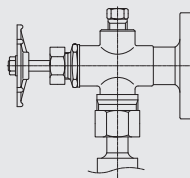
1	2	3	4	5	6	7	8	9	10
L200	AE	A	B	S	O	XXXX	CS	P	SP

Sample  
ordering code

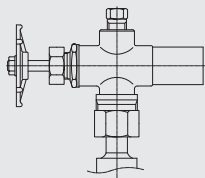
Model : L200 (Transparent type)



Section B'-B''



FLANGE TYPE



SOCKET WELD TYPE

NO.	DESCRIPTION	MATERIAL
1	GAUGE VALVE	A216 WCB/A351 CF8/A351 CF8M
2	VESSEL CONNECTION FLANGE	A105/A182 F304/A182 F316
3	GAUGE CONNECTION	A105/A479 304/A479 316
4	GAUGE BODY	A105/A479 304/A479 316
5	COVER	A105/A479 304/A479 316
6	GLASS	BOLISICATE
7	BOLT	A193 B7/B8
8	DRAIN VALVE	A216 WCB/A351 CF8/A351 CF8M A105/A182 F304/A182 F316
9	PLUG	A105/A479 304/A479 316

Large empty rectangular area for writing or drawing.