

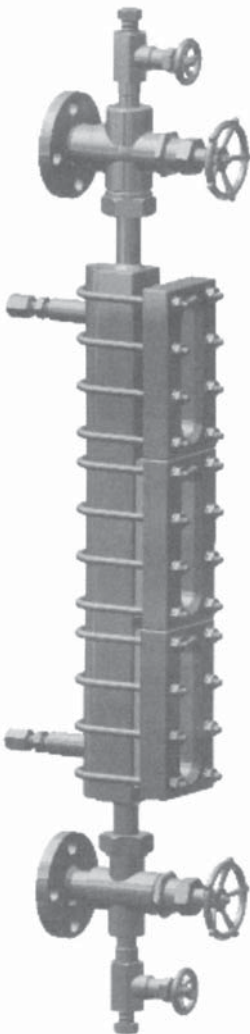
Heating type level gauge zig-zag type level gauge Model : L130, L230

WISE[®]

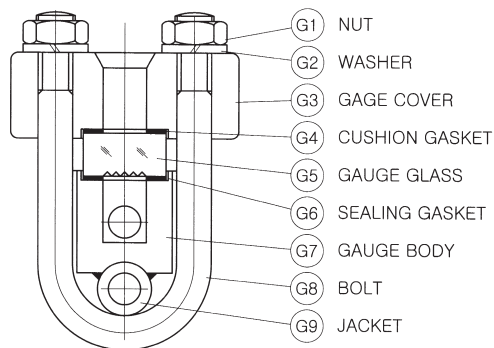
Description

This level gauge is designed for use liquid of poor fluidity and there for difficult to measure A jacket is fitted up the level gauge and gauge valve and steam or heated water is passed through this Jacket to improve the fluidity of the liquid and this makes measuring easy. This same gauge can be used as a cooling type gauge.

Model



HEATING TYPE

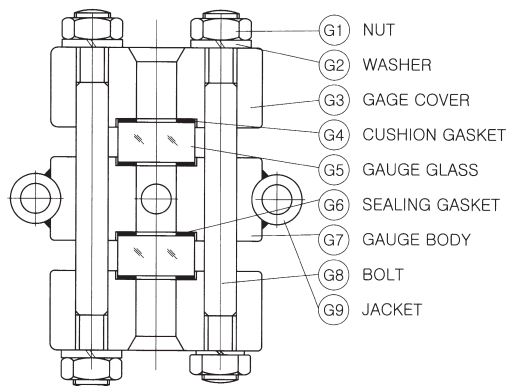


Model - L130

Material - Carbon steel, stainless steel

MAX. pressure - 4MPa

Vessel connection - 15A, 20A, 25A



Model - L230

Material - Carbon steel, stainless steel

MAX. pressure - 24MPa

Vessel connection - 15A, 20A, 25A

