

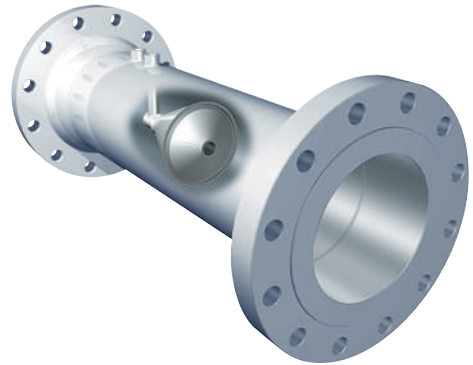
Venturi cone

Model : F750

Spec. sheet no. FD07-02

Description

Venturi cone is an innovative flowmeter which offers the ability measure a differential pressure and a flow rate. Venturi cone offers a better accuracy, variety of ranges, installation flexible, and requires less maintenance. The key benefit of venturi cone is that unique design, offers the ability to provide a repeatable accuracy up to 0.5% of rate under the most harsh flow conditions. Furthermore, it offers a wide range of reynolds numbers. Venturi cone offers an exceptional sizing flexibility, it's such as offers the diameter ½ ~ 120". Venturi cone assures a casting performance, and it has no moving parts to be replaced. Additionally, the contoured shape of the cone directs the flow without impacting the abrupt surface.



Specification

Accuracy

From $\pm 0.5\%$ of actual flow (Certain fluids and reynolds number applications require special calibrations to achieve this value.)

Repeatability

$\pm 0.1\%$ or better

Flow ranges

10:1 and greater

Standard beta ratios

0.45 through 0.80, special betas available

Head loss

Varies with beta ratio and DP

Installation piping requirements

Typically 0 ~ 3 diameters upstream and 0 ~ 1 diameters downstream of the cone are required, depending on fittings valves in the adjacent pipeline

Materials of construction include

Duplex SS, 304SS or 316SS
Hastelloy C-276
Carbon steels
Special materials on request

Line sizes

0.5 ~ 120" or larger

End fittings

Flanged, threaded, hub or weld-end standard.
Others on request

Configurations

Precision flow tube

WISE[®]

Specification

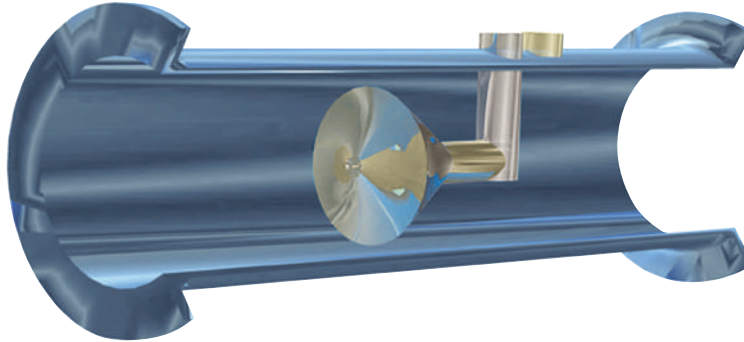
Approvals for the V-cone flowmeter

Calibrated for customer application.

ASME B31.3 construction available.

Meters in compliance with PED97/23/EC are available upon request.

ISO 9001:2000 certified quality management system



Venturi-cone flowmeter performance advantages

High accuracy

High repeatability

Minimum straight pipe requirement

Low head loss

Clean or dirty liquids, wet gases, slurries

Applications

Oil and gas production and delivery

Petroleum refining

Power / Co-generation

Chemical

1. Base model**F750** Venturi cone**2. Type****BE** Beveled end
FE Flanged end**3. Line size**

JIS	mm	ANSI	inch	DIN	mm
J015	15A	A001	½B	D015	15A
J020	20A	A002	¾B	D020	20A
J025	25A	A003	1B	D025	25A
J040	40A	A004	1½B	D040	40A
J050	50A	A005	2B	D050	50A
J065	65A	A006	2½B	D065	65A
J080	80A	A007	3B	D080	80A
J100	100A	A008	4B	D100	100A
J125	125A	A009	5B	D125	125A
J150	150A	A010	6B	D150	150A
J200	200A	A011	8B	D200	200A
J250	250A	A012	10B	D250	250A
J300	300A	A013	12B	D300	300A
J350	350A	A014	14B	D350	350A
J400	400A	A015	16B	D400	400A
J450	450A	A016	18B	D450	450A
J500	500A	A017	20B	D500	500A
J600	600A	A018	24B	D600	600A
J700	700A	A019	28B	D700	700A
J800	800A	A020	32B	D800	800A
J000	1,000A	A021	40B	D000	1,000A
XXXX	Other				

4. Body material**C** Carbon steel
4 304SS
5 316SS
6 316L SS
O Other**5. Flange rating**

JIS	ANSI	DIN
J010	JIS 10K A010 ANSI 150 Lb	P010 PN 10
J016	JIS 16K A020 ANSI 300 Lb	P016 PN 16
J020	JIS 20K A030 ANSI 600 Lb	P025 PN 25
J030	JIS 30K A040 ANSI 900 Lb	P040 PN 40
J040	JIS 40K A050 ANSI 1,500 Lb	
J063	JIS 63K A060 ANSI 2,500 Lb	

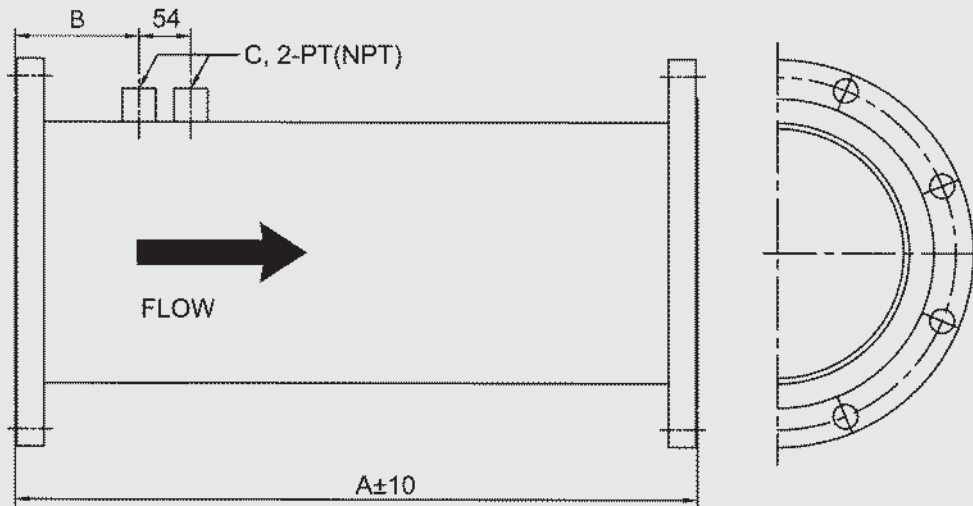
6. Flange material**A** A105
S 304SS
O Other
N None**7. Boss material****CS** A105
S4 304SS
OH Other
NO None**8. Option****O** Other
N None

1	2	3	4	5	6	7	8
F750	FE	A016	4	A020	S	S4	N

Sample ordering code

Dimension

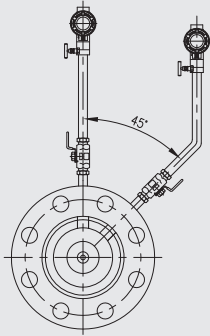
(KS
ANSI)
JIS) FLANGE VERSION



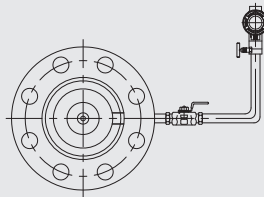
Model	Size	A(mm)	B(mm)	C(PT)
F750	15A	200	65	1/4
F750	20A	200	65	1/4
F750	25A	200	65	1/4
F750	40A	260	75	1/4
F750	50A	300	90	1/2
F750	65A	300	90	1/2
F750	80A	360	90	1/2
F750	100A	400	100	1/2
F750	125A	560	110	1/2
F750	150A	560	110	1/2
F750	200A	660	130	1/2
F750	250A	710	130	1/2
F750	300A	760	130	1/2
F750	350A	760	150	1/2
F750	400A	760	150	1/2
F750	450A	920	150	1/2
F750	500A	920	150	1/2
F750	600A	1220	150	1/2
F750	700A	1220	150	1/2
F750	750A	1525	150	1/2
F750	800A	1525	150	1/2
F750	900A	1525	150	1/2
F750	1000A	2030	150	1/2
F750	1200A	2030	150	1/2
F750	1500A	2540	150	1/2
F750	2000A	3050	150	1/2

Typical installation of venturi cone

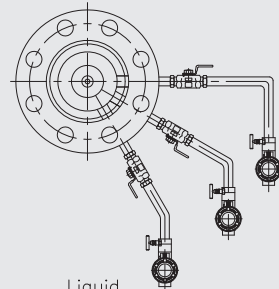
A: Horizontal pipe line



Wet gas

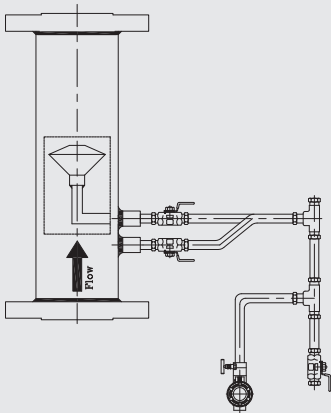


Dry gas

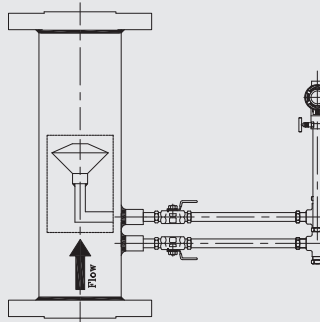


Liquid

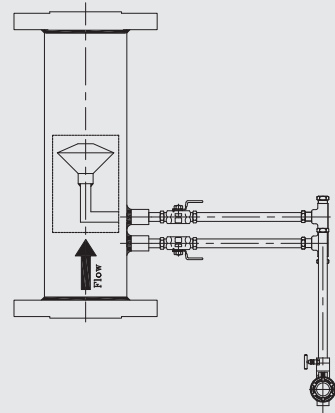
B: Vertical pipe line



Wet gas



Dry gas



Liquid

Large empty rectangular area for writing the memo content.