

# Resistance temperature detector for room and refrigerator

## Model : R430

Spec. sheet no. RD04-01

### Service intended

Model R430 temperature sensor incorporates a built-in platinum resistance which is suitable for indoor and ducting area use. Its application expands to buildings, storage rooms, and HVAC systems, and it delivers accurate detection and indication of current temperature.



- High reliable Pt 100Ω output.
- Quick response and little hysteresis.
- Small and compact design.
- Good appearance and easy installation.
- Low cost sensing element.



### Standard features

#### Head

Aluminium casting

#### Shroud tube diameter and length

19 and 100 mm

#### Enclosure

Weatherproof : R430W

Explosion proof : R430E

#### Working temperature

-50 ~ 200°C

#### Element

Pt 100Ω at 0°C

#### Protecting tube and shroud tube material

304SS (Tube type)

316L SS (Sheath type)

#### Tolerances on temperature reading

Class A :  $\pm (0.15 + 0.002 | t |)$

Class B :  $\pm (0.3 + 0.005 | t |)$

#### Protecting tube outer diameter

8 mm (Standard)

**1. Base model****R430** RTD for room and refrigerator**2. Head type**

- W** Weatherproof
- E** Explosion proof

**3. Element**

- P** Pt 100Ω (Tube type / B)
- Z** Pt 100Ω (Sheath type / B)
- 8** Pt 100Ω (Tube type / A)
- 9** Pt 100Ω (Sheath type / A)

**4. Tube material**

- 0** 304SS
- 1** 316SS

**5. Tube outer diameter (mm)**

- G9** 8.0

**6. Conduit connection**

- 1** ½" PF
- 2** ¾" PF

**7. Mounting type**

- Z** Surface mounting

**8. Connection type**

- AA** None

**9. Tube length (mm)**

- A** 100

**10. Option**

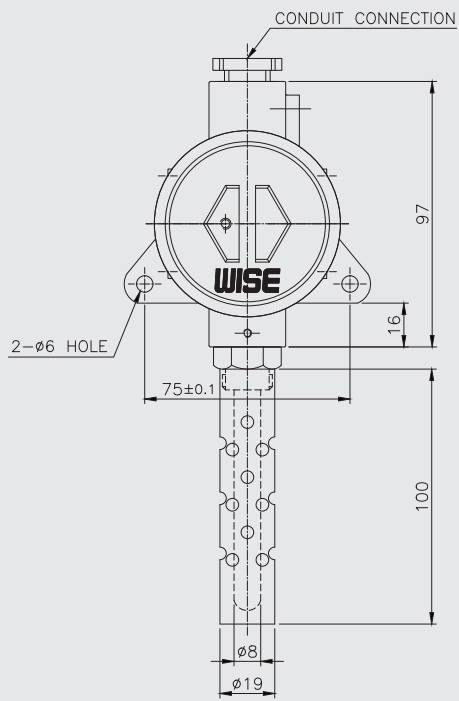
- 0** None

1	2	3	4	5	6	7	8	9	10
R430	W	P	0	G9	1	Z	AA	A	0

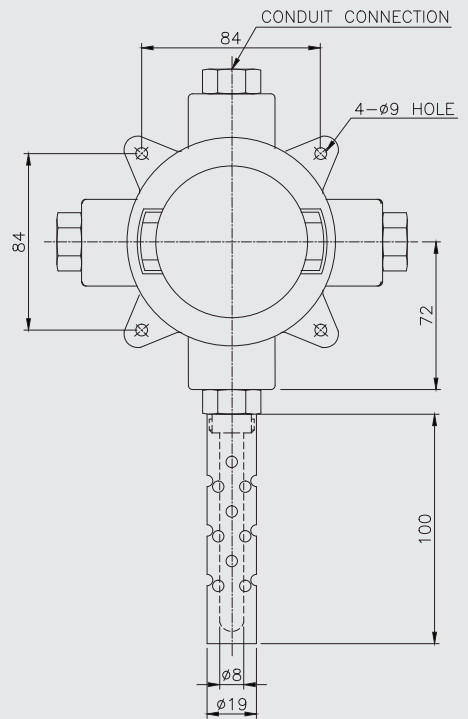
Sample  
ordering code

## R430 : Type of mounting

CODE W (WHEATHER PROOF)



CODE E (EXPLOSION PROOF)



Large empty rectangular area for writing.