

# Safety pattern type direct reading thermometer solid-front turret style thermoplastic case

**Model : T359**

Spec. sheet no. TD03-01

## Service intended

This thermometer is used for measuring temperature of corrosive and non-corrosive fluid in all industries. It operates in aggressive and non-aggressive environment. Linear dials and temperature compensate line assure an accurate temperature indication at varying ambient conditions.



## Nominal diameter

125 mm

## Accuracy

±2.0% of full scale

## Measuring system (SAMA class IIIB)

Organic gas : 0 ~ 200°C

Inert gas : -200 ~ 700°C

## Working range

Maximum scale value



## Standard features

### Location of stem

Bottom connection, direct  
Lower back connection, direct

### Case and cover

Black glass reinforced thermoplastic (PBTB)  
Solid front, blow-out back  
Turret style case with built in rear flange lugs

### Window

Polycarbonate

### Dial

White aluminium with black graduation

### Pointer

Black painted aluminium alloy

### Stem

8.0, 10.0 and 12.0 mm  
316SS and 316L SS

### Zero adjustment

Internal

### Stem, process connection

3/8", 1/2", 3/4" PT, NPT and PF

### Optional

Special accuracy, ±1.0% of full scale

**1. Base model**

**T359** Safety pattern type direct reading thermometer  
solid-front turret style thermoplastic case

**2. Nominal diameter (mm)**

5 125

**3. Type of mounting**

- B** Bottom connection, direct, surface, case mounting lugs
- L** Lower back connection, direct, case center mounting lugs

**4. Stem material**

- 1 316SS
- 2 316L SS

**5. Stem, process connection**

- A** None
- D** 3/8"
- E** 1/2"
- F** 3/4"

**6. Stem connection type (CF: Compression fitting)**

- A** None
- B** PF
- C** PT
- D** NPT
- E** CF + PT
- F** CF + NPT
- G** CF + PF
- H** MT + PT (Movable thread)
- I** MT + NPT (Movable thread)
- J** MT + PF (Movable thread)

**7. Stem outer diameter (mm)**

- 2 8.0
- 3 10.0
- 4 12.0

**8. Range**

**XXX** Refer to scale range table

**9. Insertion length**

**X** Refer to insertion length table

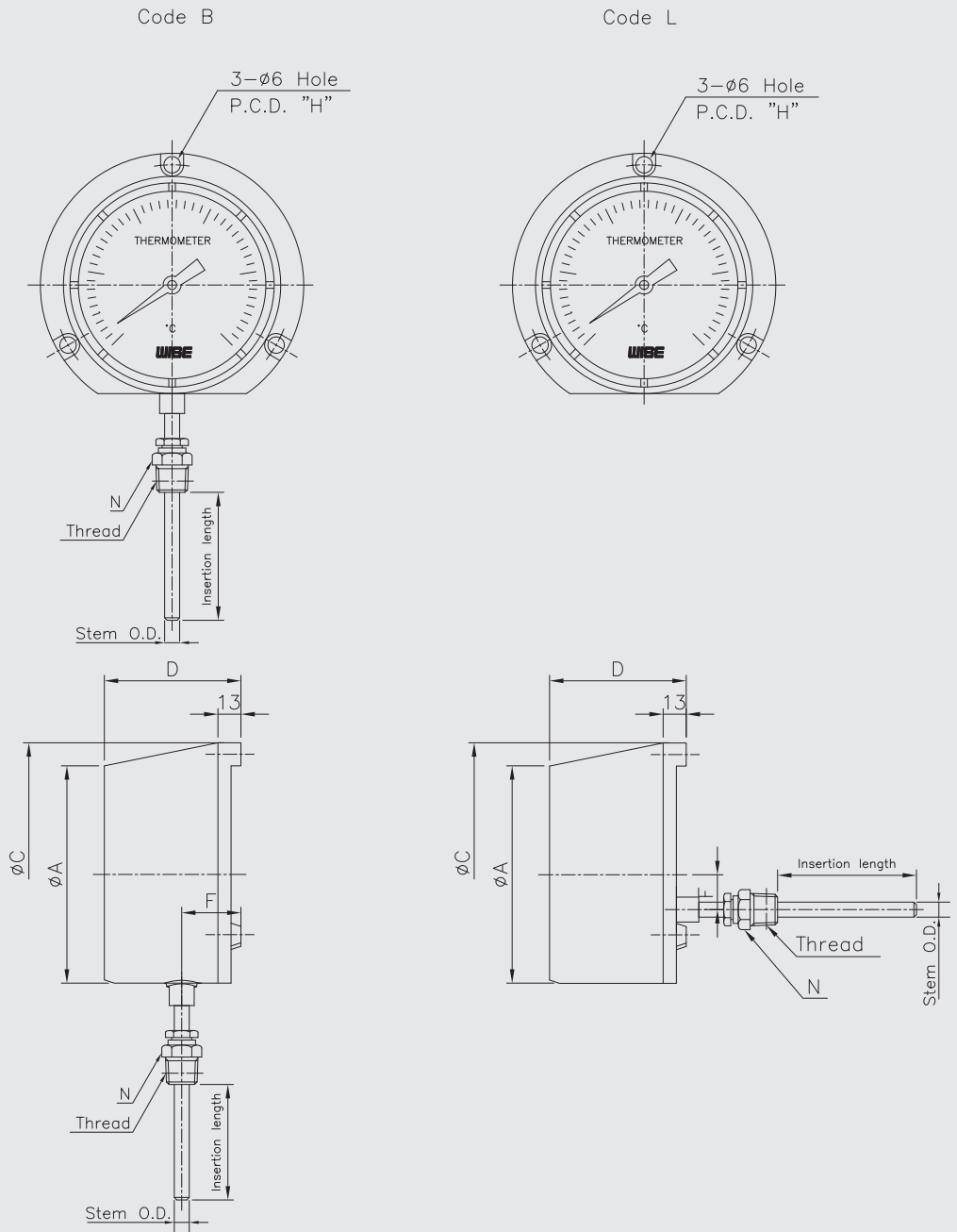
**10. Accessories**

- 0** None
- 1** Thermowell
- 2** Special accuracy ( $\pm 1.0\%$  of full scale)
- 3** Thermowell and special accuracy

1	2	3	4	5	6	7	8	9	10
T359	5	B	1	E	C	3	XXX	X	1

Sample  
ordering code

## T359 : Type of mounting



Dimensions (mm)

Dial Size	Available code	A	C	D $\pm 2$	F $\pm 1$	H	N
125	B	129	149.5	82.5	37.5	137.5	27x31.2 HEX
	L	129	149.5	82.5	27	137.5	27x31.2 HEX

## Scale ranges

Code	Scale range (°C)	Scale spacing (°C)	Minimum stem length (mm)		
			8.0	10.0	12.0
031	-200 ~ 100	5	150	100	65
032	-50 ~ 50	2	100	85	65
037	-50 ~ 100	5	100	85	65
054	-30 ~ 50	2	100	88	65
059	-30 ~ 100	5	100	85	65
061	-30 ~ 120	2	100	85	65
069	-20 ~ 50	2	100	85	65
074	-20 ~ 100	2	100	85	65
079	-20 ~ 150	5	100	85	65
084	-10 ~ 50	1	100	85	65
099	0 ~ 50	1	100	85	65
100	0 ~ 60	1	100	85	65
101	0 ~ 70	2	100	85	65
102	0 ~ 80	1	100	85	65
104	0 ~ 100	2	100	85	65
106	0 ~ 120	2	100	85	65
109	0 ~ 150	2	100	85	65
114	0 ~ 200	5	100	85	65
119	0 ~ 250	5	100	85	65
124	0 ~ 300	5	100	45	40
129	0 ~ 350	5	100	45	40
134	0 ~ 400	5	100	45	40
144	0 ~ 500	10	100	45	40
154	0 ~ 600	10	100	45	40
164	0 ~ 700	10	100	45	40

\* 0 ~ 700°C/Special range

\* -200 ~ 100°C/Special range

## Insertion length

Code	1	2	3	4	5	6	7	8	9	A	B	C
Length (mm)	50	60	70	80	100	120	130	150	175	200	225	250

Code	D	E	F	G	H	J	K	L	M	N	P
Length (mm)	275	300	350	375	400	450	500	550	1,000	1,500	2,000