

Euro gauge Direct reading thermometer Model : T250

Spec. sheet no. TD02-10

Service intended

This thermometer is used for measuring temperature of corrosive and non-corrosive fluid in all industries. It operates in aggressive and non-aggressive environment. Linear dials and temperature compensate line assure an accurate temperature indication at varying ambient conditions.



Nominal diameter

100 and 160 mm

Accuracy

±2.0% of full scale

Measuring system (SAMA class IIIB)

Organic gas : 0 ~ 200°C
Inert gas : -200 ~ 700°C

Working range

Maximum scale value



Standard features

Location of stem

Bottom connection, direct
Lower back connection, direct

Case

304SS

Cover

304SS
Bayonet type

Window

Glass

Dial

White aluminium with black graduation

Pointer

Black painted aluminium alloy

Stem

8.0, 10.0 and 12.0 mm
316SS and 316L SS

Stem, process connection

3/8", 1/2", 3/4" PT, NPT and PF

Optional

Special accuracy, ±1.0% of full scale

1. Base model

T250 Euro gauge direct reading thermometer

2. Nominal diameter (mm)

- 4 100
6 160

3. Type of mounting

- A Bottom connection, direct
G Lower back connection, direct

4. Stem material

- 1 316SS
2 316L SS

5. Stem, process connection

- A None
D 3/8"
E 1/2"
F 3/4"

6. Stem connection type (CF: Compression fitting)

- A None
B PF
C PT
D NPT
E CF + PT
F CF + NPT
G CF + PF
H MT + PT (Movable thread)
I MT + NPT (Movable thread)
J MT + PF (Movable thread)

7. Stem outer diameter (mm)

- 2 8.0
3 10.0
4 12.0

8. Range

XXX Refer to scale range table

9. Insertion length

X Refer to insertion length table

10. Accessories

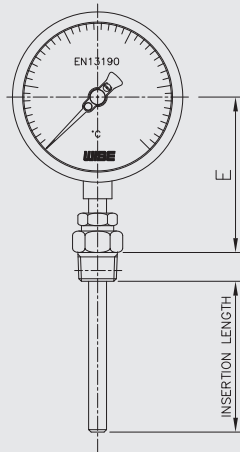
- 0 None
1 Thermowell
2 Special accuracy ($\pm 1.0\%$ of full scale)
3 Thermowell and special accuracy

1	2	3	4	5	6	7	8	9	10
T250	4	A	1	E	C	3	XXX	X	1

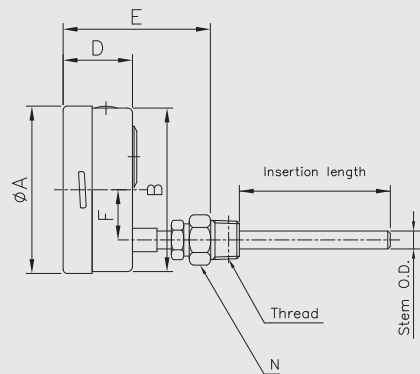
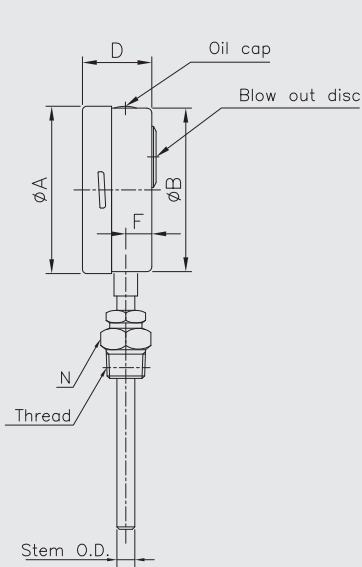
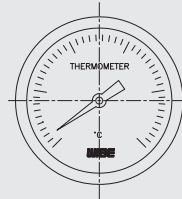
Sample
ordering code

T250 : Type of mounting

Code A



Code G



Dimensions (mm)

Dial Size	Available code	A	B	C	D \pm 2	E \pm 2	F \pm 1	N
100	A	101.3	99	50		127	16	27x31.2 HEX
	G	101.3	99	50	136.5	127	16	27x31.2 HEX
160	A	160.6	159	52.5		155	15.8	27x31.2 HEX
	G	160.6	159	52.5	136.5	129.5	15.8	27x31.2 HEX

Scale ranges

Code	Scale range (°C)	Scale spacing(°C)	Minimum stem length (mm)			Standard stem length (mm)		
			8.0	10.0	12.0	8.0	10.0	12.0
031	-200 ~ 100	5	150	100	65	200	130	130
032	-50 ~ 50	2	100	85	65	200	130	130
037	-50 ~ 100	5	100	88	65	200	130	130
054	-30 ~ 50	2	100	85	65	200	150	150
059	-30 ~ 100	2	100	85	65	200	130	130
061	-30 ~ 120	5	100	85	65	200	130	130
069	-20 ~ 50	2	100	85	65	200	130	130
074	-20 ~ 100	2	100	85	65	200	130	130
079	-20 ~ 150	5	100	85	65	200	130	130
084	-10 ~ 50	1	100	85	65	200	130	210
099	0 ~ 50	1	100	85	65	200	130	210
100	0 ~ 60	1	100	85	65	200	130	190
101	0 ~ 70	2	100	85	65	200	130	130
102	0 ~ 80	2	100	85	65	200	130	130
104	0 ~ 100	2	100	85	65	200	130	130
106	0 ~ 120	2	100	85	65	200	130	130
109	0 ~ 150	5	100	85	65	200	130	130
114	0 ~ 200	5	100	85	65	200	130	130
119	0 ~ 250	5	100	85	65	200	130	130
124	0 ~ 300	5	100	45	40	200	130	130
129	0 ~ 350	5	100	45	40	200	130	130
134	0 ~ 400	10	100	45	40	200	130	130
144	0 ~ 500	10	100	45	40	200	130	130
154	0 ~ 600	10	100	45	40	200	130	130
164	0 ~ 700	10	100	45	40	200	130	130

* 0 ~ 700°C/Special range

* -200 ~ 100°C/Special range

Insertion length

Code	1	2	3	4	5	6	7	8	9	A	B	C
Length (mm)	50	60	70	80	100	120	130	150	175	200	225	250

Code	D	E	F	G	H	J	K	L	M	N	P
Length (mm)	275	300	350	375	400	450	500	550	1,000	1,500	2,000