

Remote reading thermometer with aluminium case

Model : T212

Spec. sheet no. TD02-02

Service intended

This thermometer is used for measuring temperature of corrosive and non-corrosive fluid in all industries. It operates in aggressive and non-aggressive environment. Linear dials and temperature compensate line assure an accurate temperature indication at varying ambient conditions.



Nominal diameter

75, 100 and 150 mm

Accuracy

±2.0% of full scale

Measuring system (SAMA class IIIB)

Organic gas : 0 ~ 200°C

Inert gas : -200 ~ 700°C

Working range

Maximum scale value



Standard features

Location of stem and mounting

Bottom connection, surface, case mounting
Lower back connection, flush, case lower mounting
Lower back connection, flush, case center mounting

Case

Black finished aluminium

Cover

Black finished aluminium

Capillary

Capillary : 1.6/0.2 mm, 316SS

Armored tube : 7.5/5.5 mm, 304SS

Window

Glass

Dial

White aluminium with black graduation

Pointer

Black painted aluminium alloy

Stem

8.0, 10.0 and 12.0 mm
316SS and 316L SS

Zero adjustment

Internal

Stem connection

3/8", 1/2", 3/4" PT, NPT and PF

Optional

±1.0% of full scale

1. Base model

T212 Remote reading thermometer with aluminium case

2. Nominal diameter (mm)

- 3 75
- 4 100
- 6 150

3. Type of mounting

- B** Bottom connection, surface, case mounting plate, not available with diameter 75 mm
- K** Lower back connection, flush, case mounting plate, only available with diameter 100 mm
- L** Lower back connection, flush, case center mounting plate, not available with diameter 150 mm

4. Stem material

- 1 316SS
- 2 316L SS

5. Stem, process connection

- A** None
- D** 3/8"
- E** 1/2"
- F** 3/4"

6. Stem connection type (CF: Compression fitting)

- A** None
- B** PF
- C** PT
- D** NPT
- E** CF + PT
- F** CF + NPT
- G** CF + PF
- H** MT + PT (Movable thread)
- I** MT + NPT (Movable thread)
- J** MT + PF (Movable thread)

7. Stem outer diameter (mm)

- 2 8.0
- 3 10.0
- 4 12.0

8. Range

XXX Refer to scale range table

9. Capillary length

- P** 2 metre
- Q** 3 metre
- S** 5 metre
- V** 8 metre
- X** 10 metre
- Z** Other

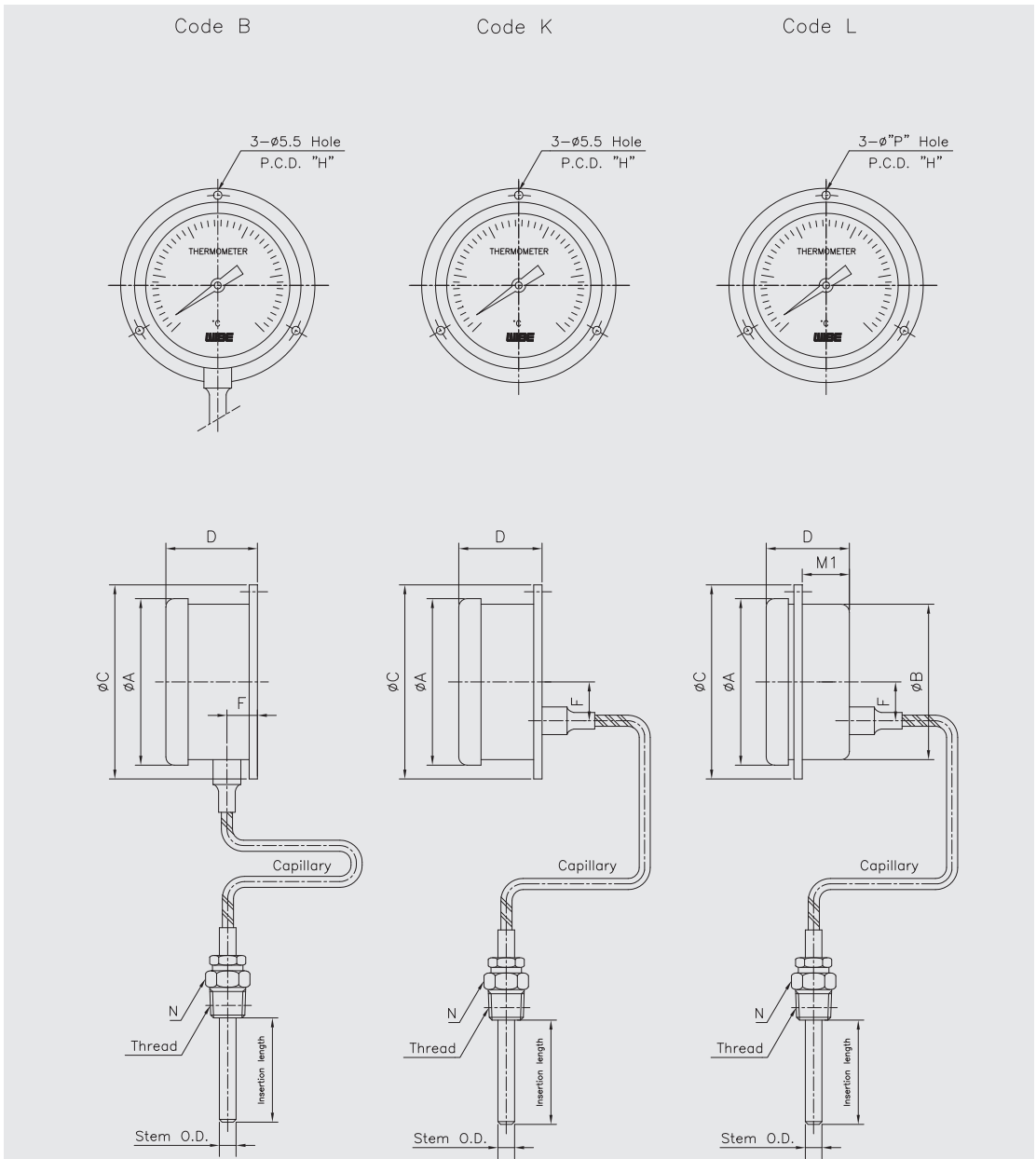
10. Accessories

- 0** None
- 1** Thermowell
- S** Special accuracy ($\pm 1.0\%$ of full scale)
- T** Thermowell and special accuracy

1	2	3	4	5	6	7	8	9	10
T212	4	B	1	E	C	3	XXX	P	1

Sample
ordering code

T212 : Type of mounting



Dimensions (mm)

Dial Size	Available code	A	B	C	D±2	F±1	H	M1	P	N
75	L	85	80	105	46	25	95	24.5	4.5	27x31.2 HEX
100	B	110		128	52	20.5	115			27x31.2 HEX
	K	110		128	52	25	115			27x31.2 HEX
150	L	110	105	135	46.5	25	122	25.5	5.5	27x31.2 HEX
	B	172		185	64	19.5	174			27x31.2 HEX

Scale ranges

Code	Scale range (°C)	Scale spacing(°C)	Minimum stem length (mm)			Standard stem length (mm)		
			8.0	10.0	12.0	8.0	10.0	12.0
031	-200 ~ 100	5	150	100	65	200	130	130
032	-50 ~ 50	2	100	85	65	200	130	130
037	-50 ~ 100	2	100	88	65	200	130	130
054	-30 ~ 50	2	100	85	65	200	150	150
059	-30 ~ 100	2	100	85	65	200	130	130
061	-30 ~ 120	2	100	85	65	200	130	130
069	-20 ~ 50	2	100	85	65	200	130	130
074	-20 ~ 100	2	100	85	65	200	130	130
079	-20 ~ 150	5	100	85	65	200	130	130
084	-10 ~ 50	1	100	85	65	200	130	210
099	0 ~ 50	1	100	85	65	200	130	210
100	0 ~ 60	1	100	85	65	200	130	190
101	0 ~ 70	2	100	85	65	200	130	130
102	0 ~ 80	2	100	85	65	200	130	130
104	0 ~ 100	2	100	85	65	200	130	130
106	0 ~ 120	2	100	85	65	200	130	130
109	0 ~ 150	2	100	85	65	200	130	130
114	0 ~ 200	5	100	85	65	200	130	130
119	0 ~ 250	5	100	85	65	200	130	130
124	0 ~ 300	5	100	45	40	200	130	130
129	0 ~ 350	5	100	45	40	200	130	130
134	0 ~ 400	10	100	45	40	200	130	130
144	0 ~ 500	10	100	45	40	200	130	130
154	0 ~ 600	10	100	45	40	200	130	130
164	0 ~ 700	10	100	45	40	200	130	130

* 0 ~ 700°C/Special range

* -200 ~ 100°C/Special range

Insertion length

Code	1	2	3	4	5	6	7	8	9	A	B	C
Length (mm)	50	60	70	80	100	120	130	150	175	200	225	250

Code	D	E	F	G	H	J	K	L	M	N	P
Length (mm)	275	300	350	375	400	450	500	550	1,000	1,500	2,000