

Syphon tube

Model : A030

Spec. sheet no. AD00-03

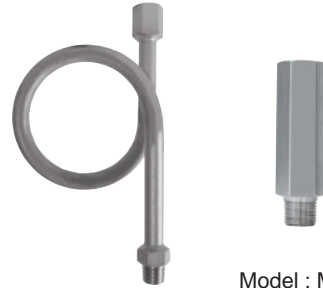
Service intended

It is used for protecting the pressure gauge from the effect of hot process media like steam, and it also can reduce the effect of rapid pressure surge.



Ordering information

Base model : 1st thru 4th characters



Model : Mini

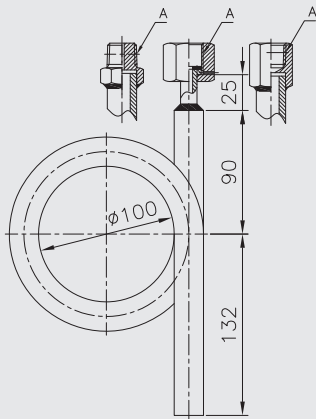
5 th character		6 th character		7 th character		8 th character		9 th character	
Code	Type	Code	Material	Code	Gauge connection size	Code	Gauge connection type	Code	Process connection size
B	Winding	C	304SS	0	1/4"	A	PF (F)	B	1/4"
C	Pig tail	D	316SS	1	3/8"	B	PT (F)	C	3/8"
M	Mini	F	316L SS	2	1/2"	C	NPT (F)	D	1/2"
		E	321SS	3	3/4"	H	NPS (F)	E	3/4"
		H	Hastelloy-C	6	1"	Z	Other	F	1"
		I	Incoloy	Z	Other			Q	Flange
		Z	Other					Z	Other

10 th character		11 th character		12 th character		13 th thru 15 th character	
Code	Process connection type	Code	Flange size	Code	Flange rating	Code	Pipe length
C	NPT (F)	A	N/A	KA	N/A	000	3/8" SCH 40 (17.3Ø X 2.3t)
G	PF (M)	D	1/2" (15A)	AC	ANSI 150 Lb RF	100	3/8" SCH 80 (17.3Ø X 3.2t)
H	PT (M)	E	3/4" (20A)	AE	ANSI 150 Lb FF	200	1/2" SCH 40 (21.7Ø X 2.8t)
J	NPT (M)	F	1" (25A)	AD	ANSI 150 Lb RFSF	300	1/2" SCH 80 (21.7Ø X 3.7t)
M	S.W (F)	G	1 1/4" (32A)	AF	ANSI 300 Lb RF	400	3/4" SCH 40 (27.2Ø X 2.9t)
N	S.W (M)	H	1 1/2" (40A)	AH	ANSI 300 Lb FF	500	3/4" SCH 80 (27.2Ø X 3.9t)
P	Pipe welding	J	2" (50A)	AG	ANSI 300 Lb RFSF	600	1/2" SCH 160 (21.7Ø X 4.7t)
Q	Flange	Z	Other	AJ	ANSI 600 Lb RF		
Z	Other			AL	ANSI 600 Lb FF		
				AK	ANSI 600 Lb RFSF		
				KL	JIS 10K RF		
				KN	JIS 10K FF		
				KM	JIS 10K RFSF		
				KP	JIS 20K RF		
				KR	JIS 20K FF		
				KQ	JIS 20K RFSF		
				KC	JIS 30K RF		
				KU	JIS 30K FF		
				KJ	JIS 30K RFSF		
				KD	JIS 40K RF		
				KV	JIS 40K FF		
				KK	JIS 40K RFSF		
				ZZ	Other		

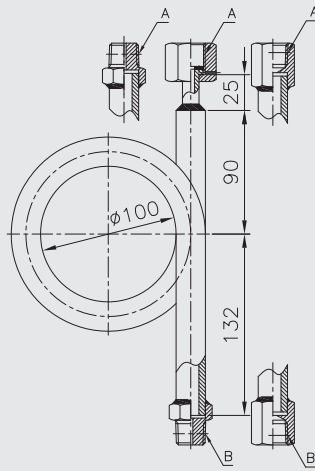
A030AC1BDJAB000 sample ordering number

A030 : Type of mounting (1/3)

Code B

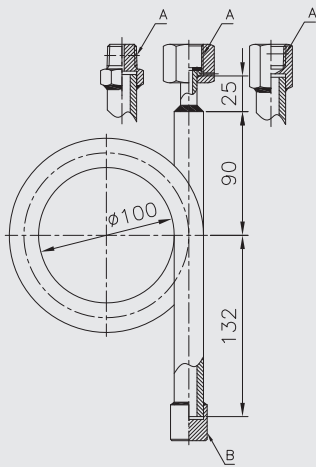
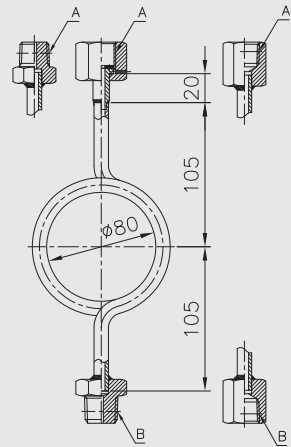


(Pipe Welding)

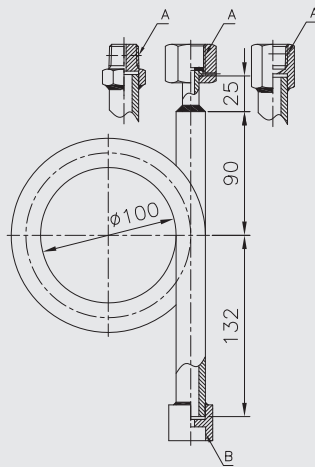


(Thread)

Code C



(S.W <M>)



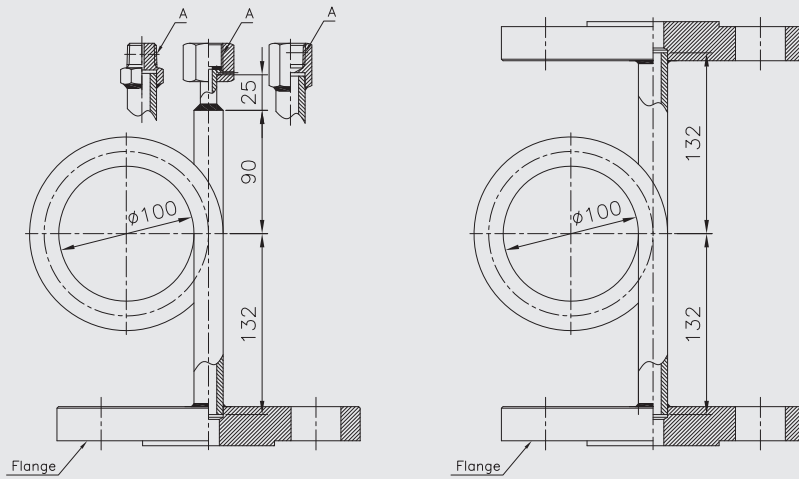
(S.W <F>)

Dimensions (mm)

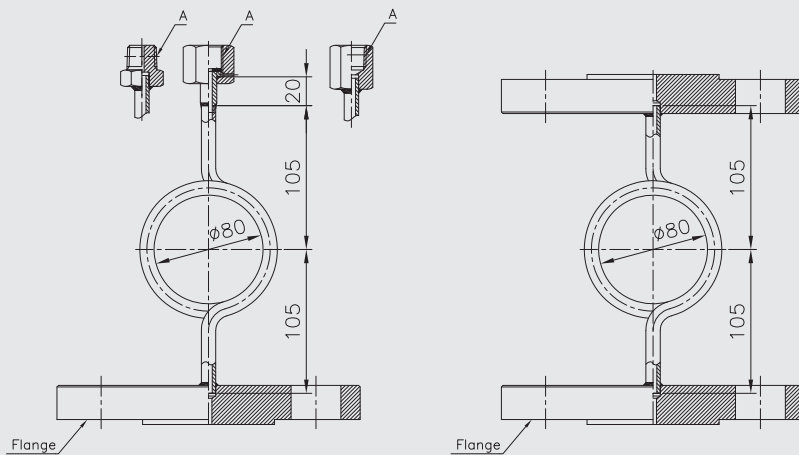
Code	Pipe		A	B
B	Standard	Size(O.D, thickness)		P.E (M)
	3/8"(8A) SCH.40, SCH.80	$\phi 17.14(\phi 17.3)$	PF 3/8	P.E (F)
		2.31t(2.3t), 3.2t(3.2t)	PF 1/2	PF 3/8
	1/2"(15A) SCH.40, SCH.80	$\phi 21.33(\phi 21.7)$	PT 3/8	PF 1/2
		2.76t(2.9t), 3.73t(3.9t)	PT 1/2	PT 3/8
			NPT 3/8	PT 1/2
C	$\phi 10.5 \times 2.4t$		NPT 1/2	NPT 3/8
				NPT 1/2

A030 : Type of mounting (2/3)

Code B



Code C



Dimensions (mm)

Code	Pipe		A	Flange rating			
	Standard	Size(O.D, thickness)					
B	3/8"(8A)	φ17.14(φ17.3)	PF 3/8	JIS	10,16,20, 30,40K	15,20,25, 32,40,50A	FF
	SCH.40, SCH.80	2.31t(2.3t), 3.2t(3.2t)	PF 1/2				RF
	1/2"(15A)	φ21.33(φ21.7)	PT 3/8	ANSI (JPI)	150,300LB	1/2,3/4,1, 11/4,11/2,2B	FF
	SCH.40, SCH.80	2.76t(2.9t), 3.73t(3.9t)	PT 1/2				RF
C	φ10.5 X 2.4t		NPT 3/8				
			NPT 1/2				

A030 : Type of mounting (3/3)

Code M

