

Weatherproof type pressure switch

Model: P940 series

Spec. sheet no. PD09-04

Service intended

P940 series pressure switches are micro contact type, and these are suitable for corrosive fluids and high pressure measurements. Dead band is fixed.



Nominal diameter

Refer to dimension drawing

Repeatability

±1.0% of adjustable range

Adjustable setting range (MPa, kPa, bar)

-0.1 ~ 0 to -0.1 ~ 2.5 MPa
0 ~ 0.1 to 0 ~ 35 MPa

Dead band

One SPDT : 5 ~ 6% of full scale
Two SPDT : 10 ~ 12% of full scale

Working temperature

Ambient : -20 ~ 65°C
Fluid : Max. 100°C



Standard features

Pressure connection

Stainless steel (316SS)

Element material

Stainless steel (316SS)

Case and cover

ALDC 12.1
Silver gray painted

Contact

Micro contact type
One SPDT or two SPDT
One DPDT

Contact rating

- AC 125 V / 250 V, 15 A
DC 125 V, 0.5 A for resistance load
- AC 125 V / 250 V, 15 A
DC 125 V, 0.05 A for inductive load

Conduit connection

1/2" PF (Single setpoint) P941
3/4" PF (Dual setpoint) P942

Process connection

3/8", 1/2" PT, NPT and PF

WISE[®]

1. Base model

- P941** Weatherproof type pressure switch (Single setpoint)
P942 Weather proof type pressure switch (Dual setpoint)

2. Unused character

- 9B3** None

3. Process connection

- D** 3/8"
E 1/2"

4. Connection type

- B** PF
C PT
D NPT

5. Measuring unit

- X** Refer to pressure unit and range table

6. Range

- XXX** Refer to pressure unit and range table

7. Pressure connection material

- 3** 316SS

8. Options

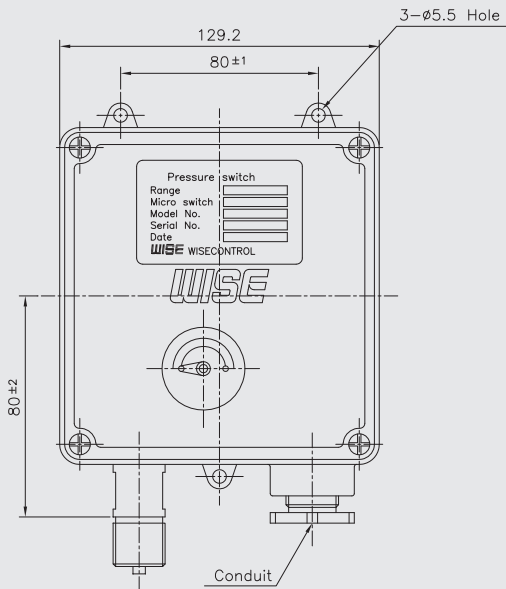
- 0** None
1 Accessories

1	2	3	4	5	6	7	8
P941	9B3	D	B	X	XXX	3	0

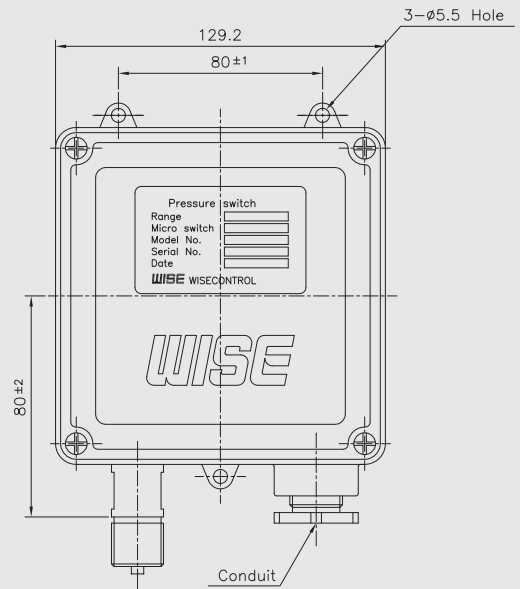
Sample
ordering code

P94X : Type of mounting

Code P941



Code P942



Pressure unit and range table

Range and code	Unit and code		Model number	
	H : bar	I : MPa	P941	P942
026	-1 ~ 0	-0.1 ~ 0	○	○
041	0 ~ 1	0 ~ 0.1	○	○
042	0 ~ 2	0 ~ 0.2	○	○
043	0 ~ 3	0 ~ 0.3	○	○
044	0 ~ 4	0 ~ 0.4	○	○
045	0 ~ 6	0 ~ 0.6	○	○
047	0 ~ 10	0 ~ 1	○	○
050	0 ~ 15	0 ~ 1.5	○	○
051	0 ~ 20	0 ~ 2	○	○
052	0 ~ 25	0 ~ 2.5	○	○
054	0 ~ 35	0 ~ 3.5	○	○
055	0 ~ 50	0 ~ 5	○	○
057	0 ~ 70	0 ~ 7	○	○
058	0 ~ 100	0 ~ 10	○	○
059	0 ~ 150	0 ~ 15	○	○
062	0 ~ 250	0 ~ 25	○	○
064	0 ~ 350	0 ~ 35	○	○
027	-1 ~ 1	-0.1 ~ 0.1	○	○
028	-1 ~ 2	-0.1 ~ 0.2	○	○
029	-1 ~ 3	-0.1 ~ 0.3	○	○
030	-1 ~ 4	-0.1 ~ 0.4	○	○
031	-1 ~ 6	-0.1 ~ 0.6	○	○
032	-1 ~ 10	-0.1 ~ 1	○	○
033	-1 ~ 15	-0.1 ~ 1.5	○	○
034	-1 ~ 20	-0.1 ~ 2	○	○

○ : Available X : Not available