



# AMETEK

TEST AND CALIBRATION INSTRUMENTS DIVISION

LARGO, FL

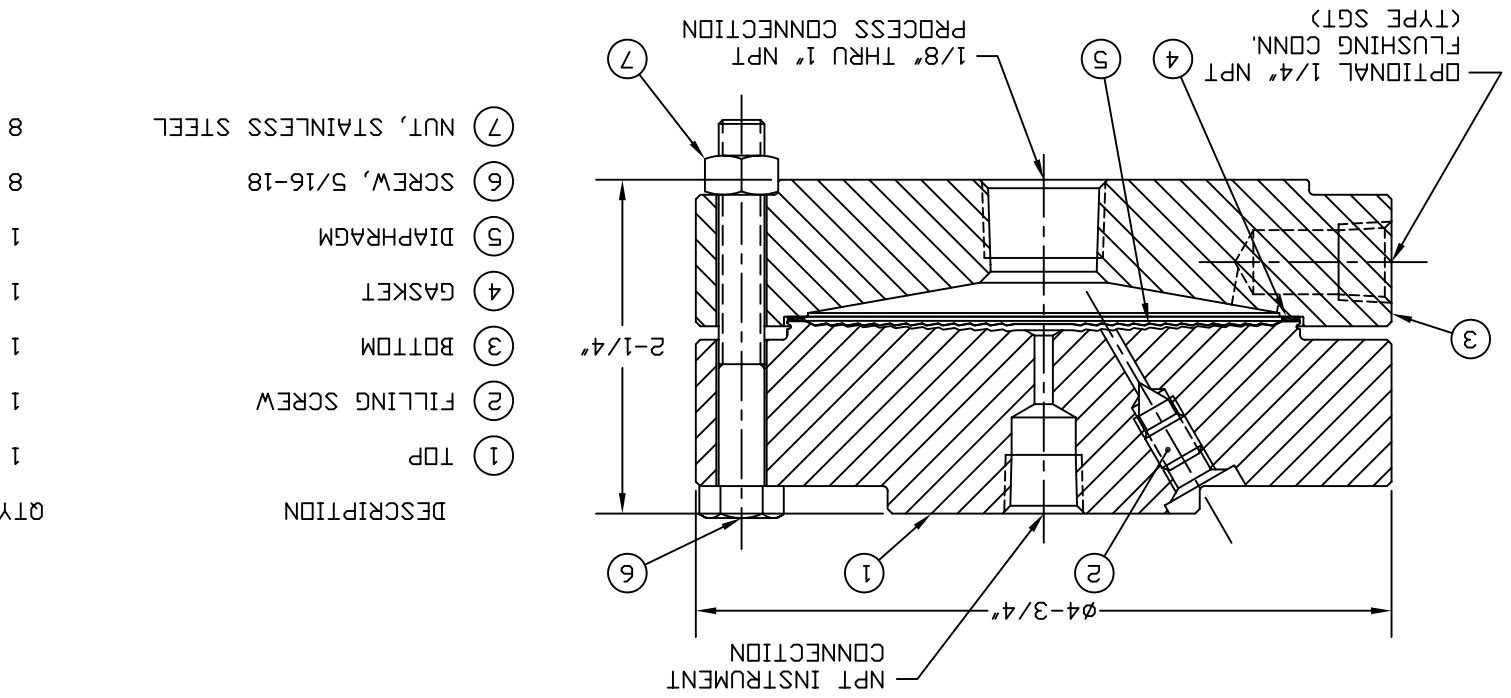
AMETEK

DRAWING CERTIFIED CORRECT,  
DATE :

- INSTALLATION:** - CONNECT ASSEMBLED SEAL TO STANDARD MALE NPT PIPE THREAD USING A STRAP WRENCH.
- OPERATION:** - WHEN CLEANING IS REQUIRED, REMOVE SCREWS PART #6, CALIBRATED UNIT PART #'S 1, 2, 5, AND GASKET #4, CLEAN AND REINSTALL, USING A NEW GASKET.
- CAUTION:** - DO NOT LOOSEN INSTRUMENT CONNECTION OR FILLING SCREW, AS LOSS OF LIQUID FILL WILL RESULT AND RECALIBRATION WILL BE NECESSARY.

## INSTRUMENT DESCRIPTION

**TYPE SBT & SGT**  
RAISED FACE METAL  
THREAD ATTACHED  
PRESSURE RATING: 2500 PSI @ 100°F



SOLD TO :	AMETEK NO. :	ORDER ITEM NO. :
P.O. # :	DRW. TO :	QUANTITY :
P.O. # :	CUST. SPEC. NO. :	FILL FLUID :
ULTIMATE CUSTOMER : (IF AVAILABLE)		