

Flanged Process Connection, Diaphragm Seals Model 990.15, for Block Flange or Saddle Flange

WIKA Data Sheet DS 99.35

Applications

- Specifically for connection with block flange or saddle flange and to combine with bourdon tube pressure gauges
- Suitable for corrosive, contaminated, hot or viscous pressure media
- Chemical and petrochemical industry

Special Features

- Design with sealing face and integral diaphragm to be sandwiched between flanges
- Process connection for direct thread joint with block or saddle flange
- Together with the block or saddle flange the diaphragm seal forms a well-matched system
- Wide variety of special materials

Description

Pressure rating

PN 100 or 250 bar

Suitable pressure ranges

0 ... 0.6 bar to 0 ... 250 bar

Body (process connection)

Stainless steel 316L, axial welded capillary connection (instrument connection by adaptor G ½ female)

Diaphragm

Stainless steel 316L, welded with body
Effective diameter of diaphragm $d_M = 52 \text{ mm}$

Sealing ring

FPM (Viton®) max. 200 °C

Assembly parts (for process connection)

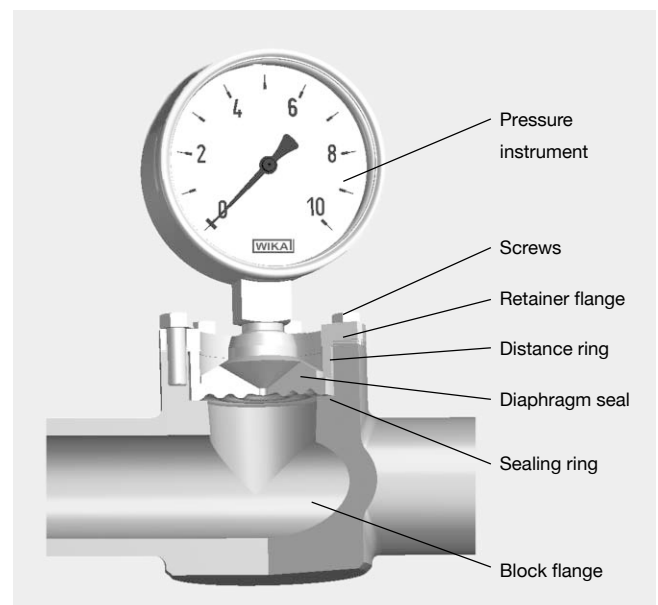
Retainer flange, hexagonal bolts and distance ring:
Stainless steel, max. 260 °C

Viton® fluorelastomers ist a registered trademark of DuPont Performance Elastomers.



Diaphragm Seal, for Block resp. Saddle Flange Model 990.15

Installation example for a diaphragm seal model 990.15 with directly mounted pressure gauge to a block flange model 910.19



Optional extras

Process connection

- Stainless steel 1.4435, 1.4571, 1.4539, 1.4541, titanium
- Instrument connection direct by G ½ female
- Cooling tower for directly mounted gauge when temperature of pressure media > + 100 °C

Diaphragm

- Stainless steel 1.4435, 1.4571, 1.4539, 1.4541
- Hastelloy B2, C4, C276, Monel 400, Nickel, Inconel 600, Incoloy 825, tantalum, titanium, zirconium with titanium upper body
- Silver foil max. 150 °C, PTFE foil max. 260 °C ≤ +100 bar
- PFA coating max. 260 °C, ECTFE coating max. 150 °C

Sealing ring

- PTFE max. 260 °C (standard with special material diaphragm)
- 1.4571 silver plated or Inconel silver plated for max. 400 °C

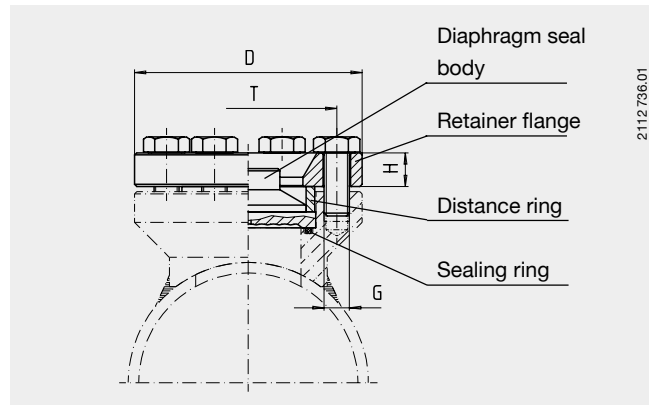
Assembly parts (for process connection)

- Hexagonal bolts: HT alloy steel up to 400 °C

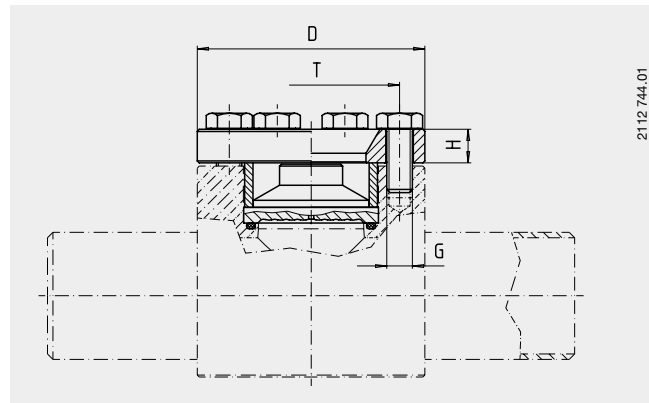
Accessories

- Surface mounting bracket for pressure gauge

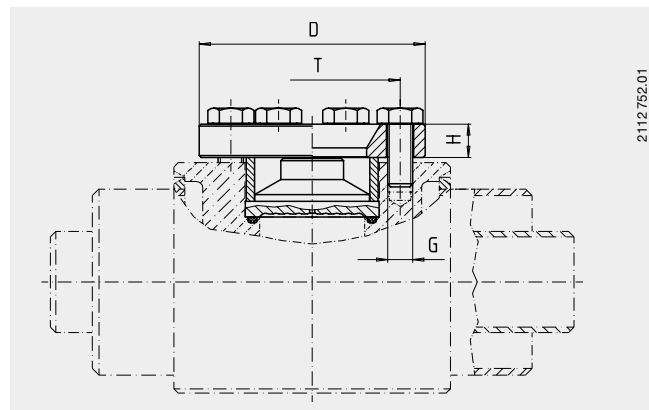
Assembly example for saddle flange



Assembly example for block flange (plain pipe)



Assembly example for block flange (jacketed pipe)



Dimensions in mm

Temperature in °C	Pressure in bar	Dimensions in mm			
		G	D	T	H
max. 200	max. 100	M 8	90	73,5	10
200 - 400	> 100 - 250	M 12	108	84	16

Ordering information

Model / Pressure rating / Block flange or saddle flange / Material of sealing ring / Material of assembly parts / Assembly, if necessary length of capillary / Fill fluid / Pressure gauge model / Process conditions as per questionnaire / Optional extras

Modifications may take place and materials specified may be replaced by others without prior notice. Specifications and dimensions given in this leaflet represent the state of engineering at the time of printing.



WIKAL Alexander Wiegand GmbH & Co. KG
 Alexander-Wiegand-Straße 30
 63911 Klingenberg/Germany
 Phone (+49) 93 72/132-0
 Fax (+49) 93 72/132-406
 E-Mail info@wika.de
 www.wika.de