

Inclined tube manometer Model A2G-30

WIKA data sheet PM 07.41



Applications

- For dry, clean, non-aggressive gases, usually air
- Monitoring of ventilators, blowers and filters in air-conditioning and clean room applications

Special features

- Easy to install
- Easy to install and remove
- Leakage protection
- Easy-to-read scale



Inclined tube manometer model A2G-30

Description

Accuracy

5 Pa / 25 Pa

Scale range

0 ... 600 Pa

Max. pressure

200 kPa (2 bar)

Permissible temperature

Ambient: -40 ... +60 °C

Operation: -40 ... +60 °C

Ingress protection

IP 54 per EN 60529 / IEC 529

Weight

420 g

Standard version

Process connection

Connecting nozzle (ABS), for hoses with inner diameter 4 or 6 mm

Liquid filling

Red, specific gravity 0.786 kg/dm³ (at 15 °C), 30 ml

Case

ABS

Case cover

PMMA

Screws

PC

Sealing

NBR

Mounting position

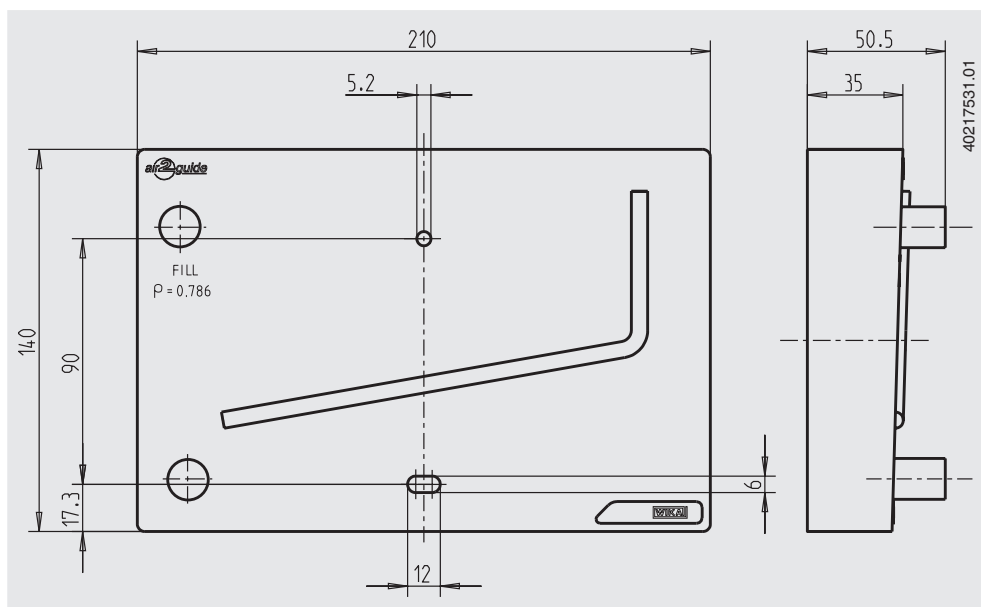
Vertical

Standard accessories

- 2 mounting screws
- Filling liquid
- Red and green pressure limitation labels

Dimensions in mm

Standard version



Ordering information

Model

© 2008 WIKA Alexander Wiegand SE & Co. KG, all rights reserved.
The specifications given in this document represent the state of engineering at the time of publishing.
We reserve the right to make modifications to the specifications and materials.



WIKAL Alexander Wiegand SE & Co. KG
Alexander-Wiegand-Straße 30
63911 Klingenberg/Germany
Tel. (+49) 9372/132-0
Fax (+49) 9372/132-406
E-mail info@wika.de
www.wika.de