

Bourdon tube pressure gauge

Test gauge series, class 0.1

Model 342.11

WIKA data sheet PM 03.03



Applications

- For gaseous and liquid media that are not highly viscous or crystallising
- Precision measurement in laboratories
- Highest-accuracy pressure measurement
- Testing and calibration of industrial type pressure gauges

Special features

- Knife edge pointer and dial with mirror band scale for optimal accuracy of reading
- Precise movement with wear parts of argentan
- Particularly easy-to-read scale due to nominal size 250
- Scale ranges up to 0 ... 1600 bar



Test gauge series model 342.11

Description

Design

per EN 837-1, including transport case and acceptance test certificate (individual listing of the calibration points)

Nominal size in mm

250

Accuracy class

0.1

Scale ranges

0 ... 1.0 to 0 ... 1600 bar

or all other equivalent vacuum or combined pressure and vacuum ranges

Adjustment medium

≤ 25 bar: Gas

> 25 bar: Oil

Pressure limitation

Steady: Full scale value

Fluctuating: 0.9 x full scale value

Permissible temperature

Ambient: -20 ... +60 °C

Medium: +100 °C maximum

Temperature effect

When the temperature of the measuring system deviates from the reference temperature (+20 °C):

Max. ±0.1 %/10 K of full scale value

Ingress protection

IP 54 per EN 60529 / IEC 529

Standard version

Process connection

Stainless steel,
lower mount (LM)
G ½ B (male), 22 mm flats

Pressure element

Ni-Fe-alloy (Ni-Span C),
< 100 bar: C-type
≥ 100 bar: Helical type

Movement

Cu-alloy, wear parts argentan

Dial

Aluminium, white, black lettering, scale 330°, with mirror
band scale, for zero adjustment rotatable by ±15°

Pointer

Knife edge pointer, aluminium, black

Case

Flange ring type case, aluminium, black-silver

Window

Clear non-splintering plastic, green tinted to prevent the
dazzle effect

Bezel ring

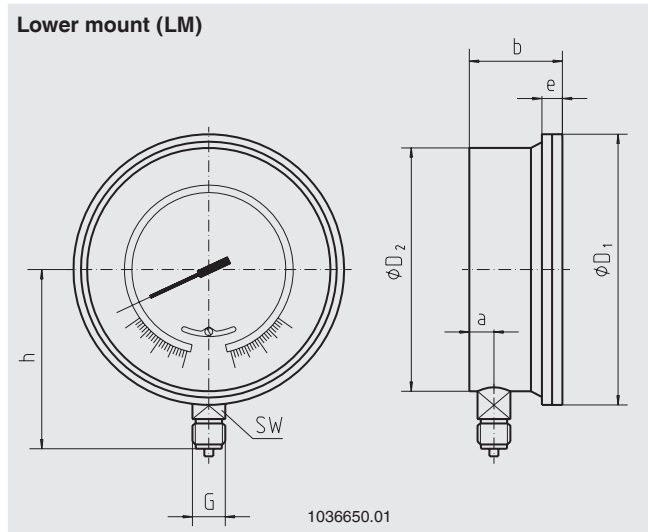
Flange ring, aluminium, black-silver

Options

- Other process connection
- Adjustment medium oil with scale ranges ≥ 4 bar
- Surface mounting flange
- Suitable for panel mounting (by means of clamp)
- After-sales service booklet for 3 recalibrations
- Capsule pressure gauge for low pressures from
0 ... 6 mbar (model 612.11, see data sheet PM 06.04)

Dimensions in mm

Standard version



NS	Dimensions in mm							SW	Weight in kg
	a	b	D1	D2	e	G	h ± 1		
250	22	78	277	250	16.5	G ½ B	165	22	6.00

Process connection per EN 837-1 / 7.3

Ordering information

Model / Nominal size / Scale range / Connection size / Connection location / Adjustment medium (gas or oil) / Options

© 2008 WIKA Alexander Wiegand SE & Co. KG, all rights reserved.
The specifications given in this document represent the state of engineering at the time of publishing.
We reserve the right to make modifications to the specifications and materials.



WIKAL Alexander Wiegand SE & Co. KG
Alexander-Wiegand-Straße 30
63911 Klingenberg/Germany
Tel. (+49) 9372/132-0
Fax (+49) 9372/132-406
E-mail info@wika.de
www.wika.de