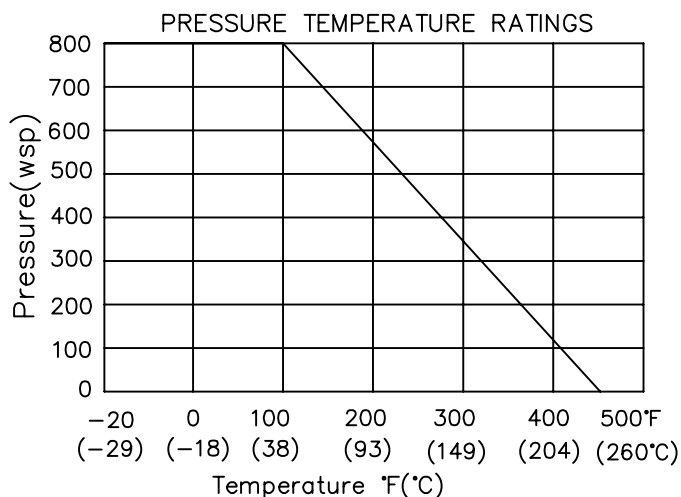
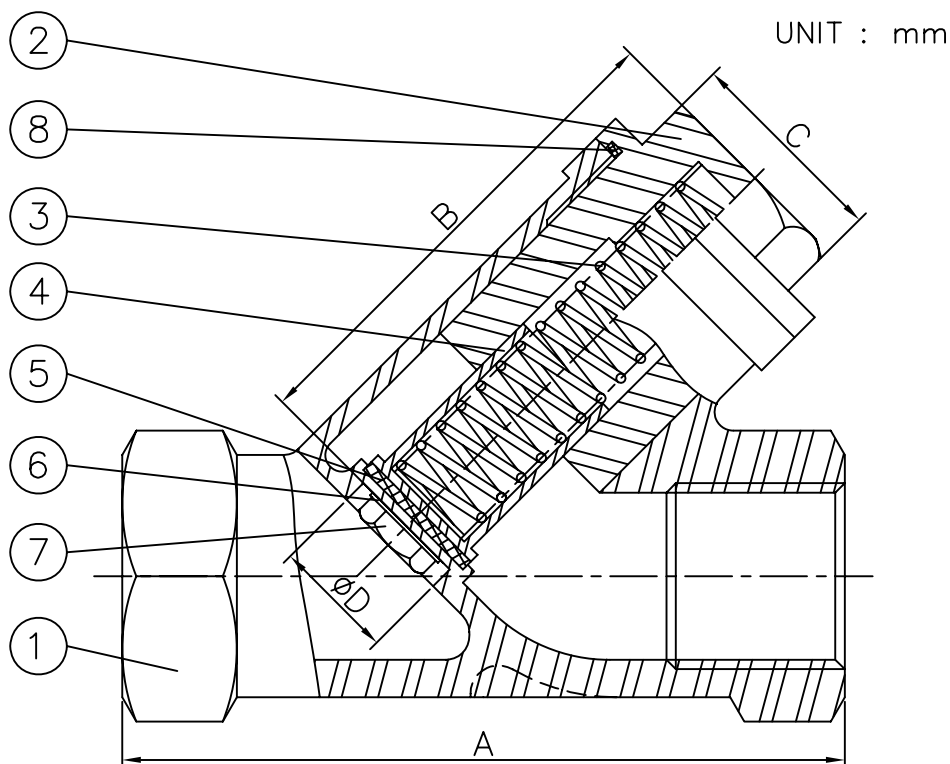


Fig. No. ZT-Y800 Y-SPRING CHECK VALVES

- * Investment Casting
- * Y-Type
- * S.S.316 Piston Disc
- * Screwed-In Cap

- * Connecting Threads:
ANSI B2.1
BS21
DIN
- * Working Pressure: 800lb



MATERIALS LIST

NO	PART	Q'TY	MATERIAL
1	BODY	1	ASTM A351 GR.CF8M
2	CAP	1	ASTM A351 GR.CF8M
3	SPRING	1	SS304
4	DISC	1	SS316
5	SEAT	1	TEFLON
6	WASHER	1	SS304
7	NUT	1	SS304
8	GASKET	1	TEFLON

SIZE	1/4"	3/8"	1/2"	3/4"	1"	1 1/4"	1 1/2"	2"
A	65	65	65	80	90	105	120	140
B	46	46	46	58	69	75	85	98
C	19	19	19	23	27	32	41	50
øD	10	10	15	20	25	32	40	50

ZHE THAI MACHINERY CO., LTD.