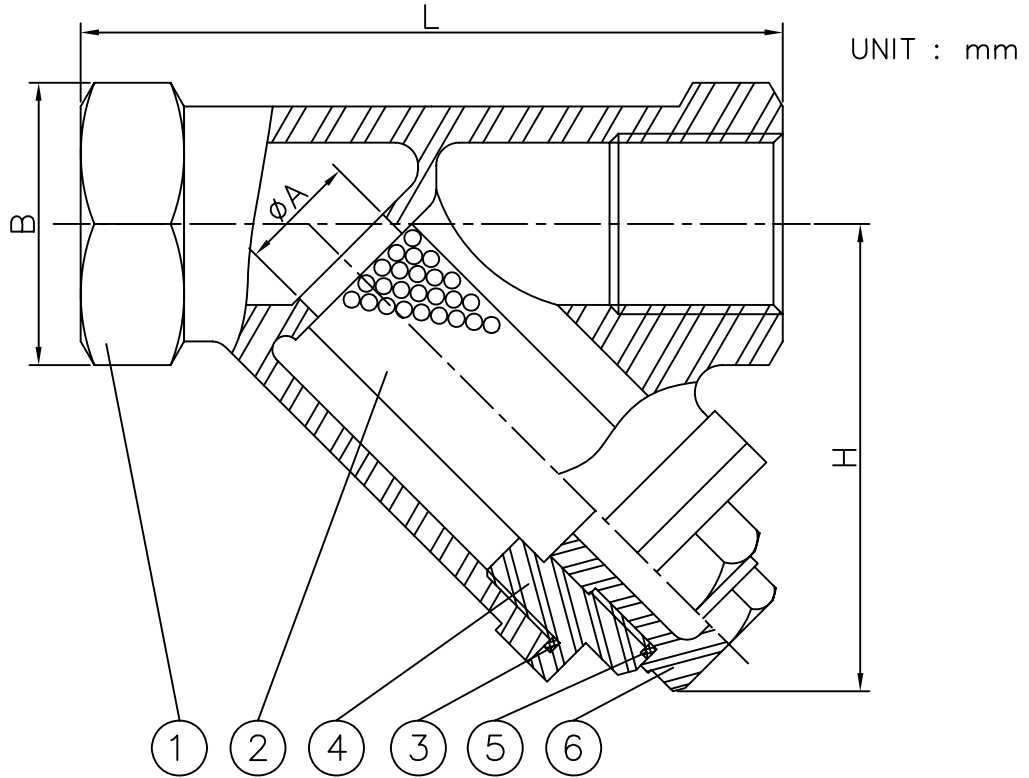


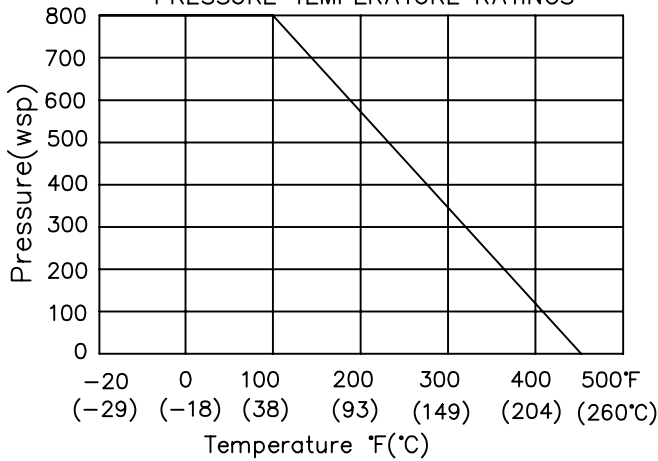
# Fig. No. ZT-YS800 Y-STRAINER VALVES

- \* Investment Casting
- \* Y-Type
- \* Screwed-In Cap
- \* S.s.316 Screen

- \* Connecting Threads:  
ANSI B2.1  
BS21  
DIN
- \* Working Pressure: 800lb



PRESSURE TEMPERATURE RATINGS



## MATERIALS LIST

NO	PART	Q'TY	MATERIAL
1	BODY	1	ASTM A351 GR.CF8M
2	SCREEN	1	SS316 12 MESH
3	GASKET	1	TEFLON
4	BONNET	1	ASTM A351 GR.CF8M
5	O-RING	1	TEFLON
6	BLOW OFF	1	ASTM A351 GR.CF8M

SIZE	1/4"	3/8"	1/2"	3/4"	1"	1 1/4"	1 1/2"	2"	2 1/2"	3"
øA	11	13	15	20	25	32	40	50	65	80
B	23	23	26	32	41	49	56	69	87	102
H	46	46	46	55	70	73	81	94	120	140
L	65	65	65	80	90	105	120	140	170	200

# ZHE THAI MACHINERY CO., LTD.