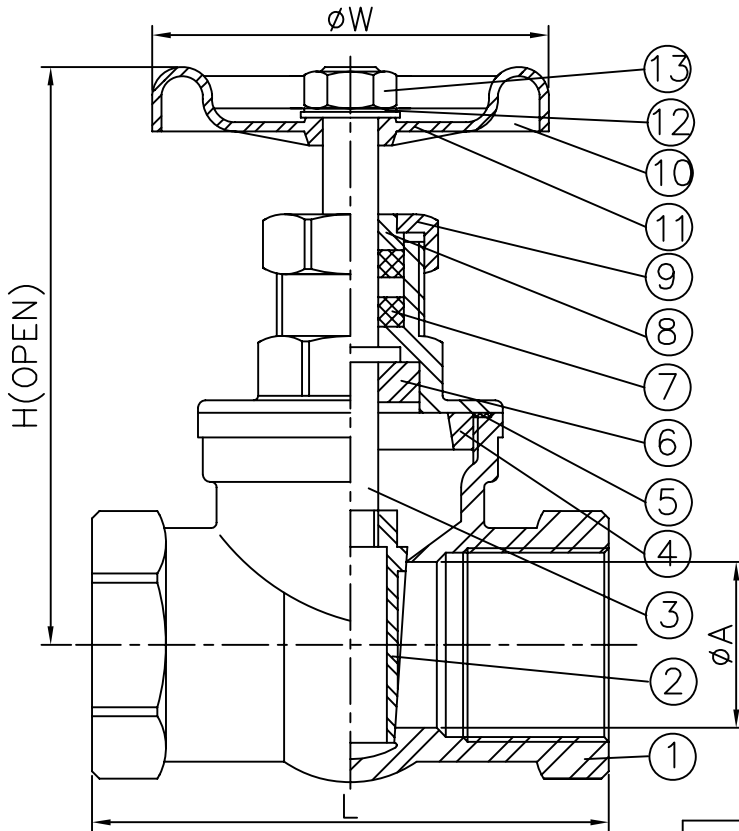


# Fig. No. ZT-GA200 GATE VALVES

- \* Investment Casting
- \* Screwed-In Bonnet
- \* Non-Rising Stem
- \* Solid Wedge Disc
- \* Hand Wheel Operation

- \* Connecting Threads:  
ANSI B2.1  
BS21  
DIN
- \* Working Pressure: 200lb



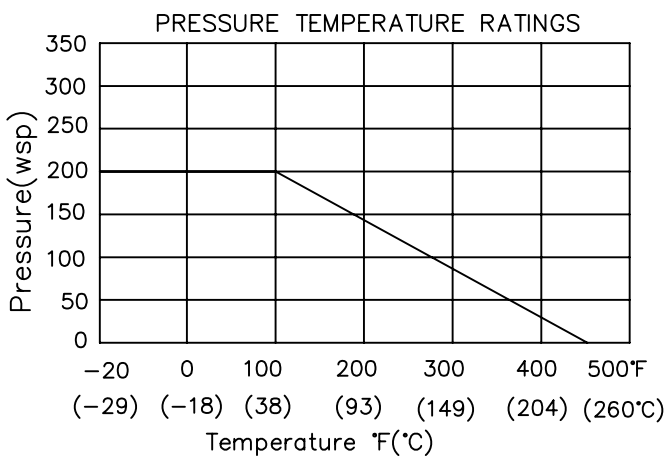
UNIT : mm

## DIMENSIONS (mm)

SIZE	φA	L	H	W
1/2"	15	55	95	70
3/4"	20	60	102	70
1"	25	65	115	80
1 1/4"	32	75	127	80
1 1/2"	38	85	150	90
2"	50	95	170	100

## MATERIALS LIST

NO	PART	Q'TY	MATERIAL
1	BODY	1	ASTM A351 GR.CF8M
2	DISC	1	ASTM A351 GR.CF8M
3	STEM	1	SS316
4	BONNET	1	ASTM A351 GR.CF8M
5	GASKET	1	TEFLON
6	STEM HOLDER	1	SS316
7	STEM PACKING	1set	TEFLON
8	GLAND	1	SS304
9	GLAND NUT	1	SS304
10	HANDLE WHEEL	1	MICO STEEL
11	HAME PLATE	1	ALUMINUM
12	WASHER	1	SS304
13	NUT	1	SS304



# ZHE THAI MACHINERY CO., LTD.