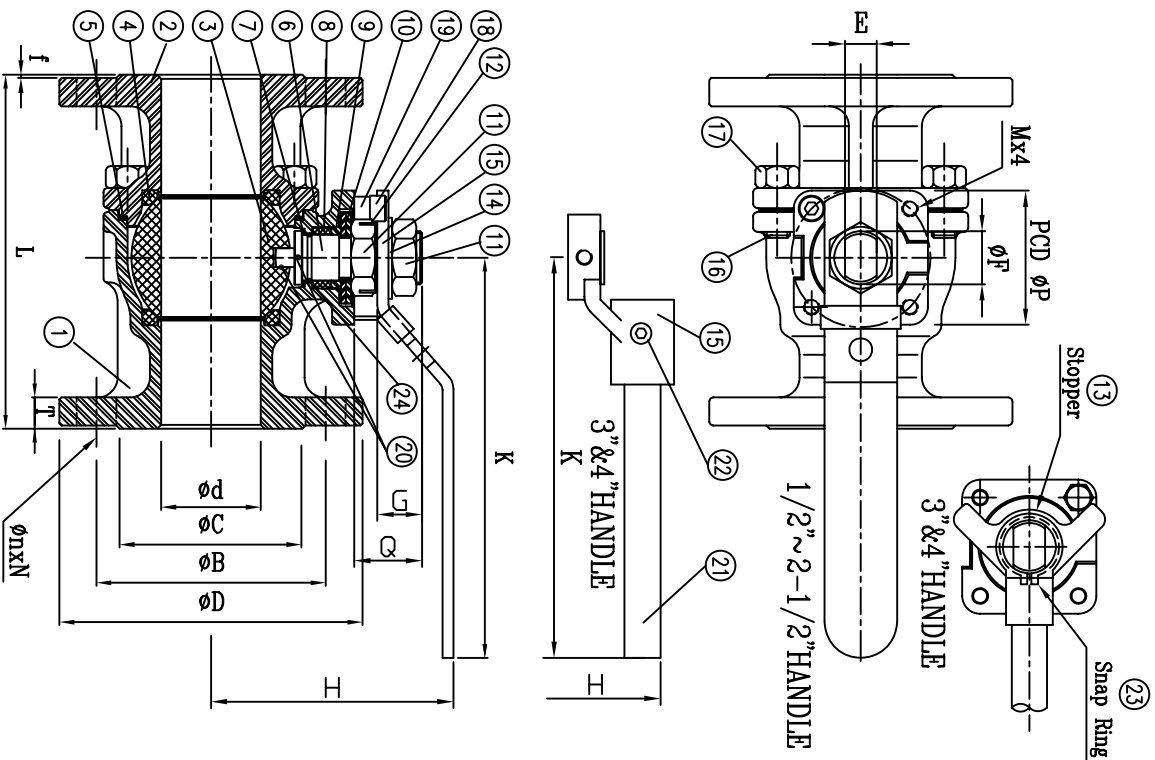


Fig.No. ZT-F602 Two Piece Flange Ball Valves PN40/16 – Full Port

FEATURE & SPECIFICATIONS

- \* Two piece design facilitates inspection and repair
- \* Blow-out proof stem
- \* Anti-Static design is standard



- \* Temperature range: -29°C ~ 180°C
- \* Face to face: DIN 3202 F1/F4
- \* Flange dimensions: DIN 2633
- \* Mounting pad: ISO 5211
- \* Pressure rating: DN15~DN50=PN40  
DN65~DN100=PN16

DN	SIZE	ød	øB	øC	øD	E	øF	G	H	K	L		T	f	øn	N	M	øP	Q
											F1	F4							
15	1/2"	15	65	45	95	8	12	12.5	72	145	130	115	16	2	14	4	M5	42	18
20	3/4"	20	75	58	105	8	12	12.5	74	145	150	120	18	2	14	4	M5	42	18
25	1"	25	85	68	115	8.7	14	13.5	81	178	160	125	18	2	14	4	M6	50	22.5
32	1-1/4"	32	100	78	140	8.7	14	13.5	87	180	150	18	2	18	4	M6	50	22.5	
40	1-1/2"	38	110	88	150	15	22	23.5	126	255	200	140	18	3	18	4	M8	70	36
50	2"	50	125	102	165	15	22	22	136	255	230	150	20	3	18	4	M8	70	40.5
65	2-1/2"	65	145	122	185	15	22	26	155	290	170	18	3	18	4	M8	70	40.5	
80	3"	80	160	138	200	17	25.8	26	167	350	310	180	20	3	18	8	M10	102	42
100	4"	100	180	158	220	17	25.8	26	179	400	350	190	20	3	18	8	M10	102	42

UNIT:mm

NO.	PART NAME	MATERIAL
1	BODY	EN10213-4.1.4408
2	CAP	EN10213-4.1.4408
3	BALL	ASTM A351 GR. CF8M
4	SEAT	RPTEE
5	GASKET	PTFE
6	STEM	SS316
7	THRUST WASHER	POLYFILL TEFLON
8	PACKING	PTFE
9	RING	SS304
10	BEVEL WASHER	SS301
11	HEX. NUT	SS304
12	LOCK	SS304
13	STOPPER	SS304
14	HANDLE WASHER	SS304
15	HANDLE	SS304
16	BOLT	SS304
17	HEX. NUT	SS304
18	BOLT	SS304
19	WASHER	SS304
20	STATIC DEVICE	SS304
21	HANDLE PIPE	SS304
22	BOLT	SS304
23	SNAP RING	SS304
24	O-RING	VITON

ZHE THAI MACHINERY CO.,LTD.