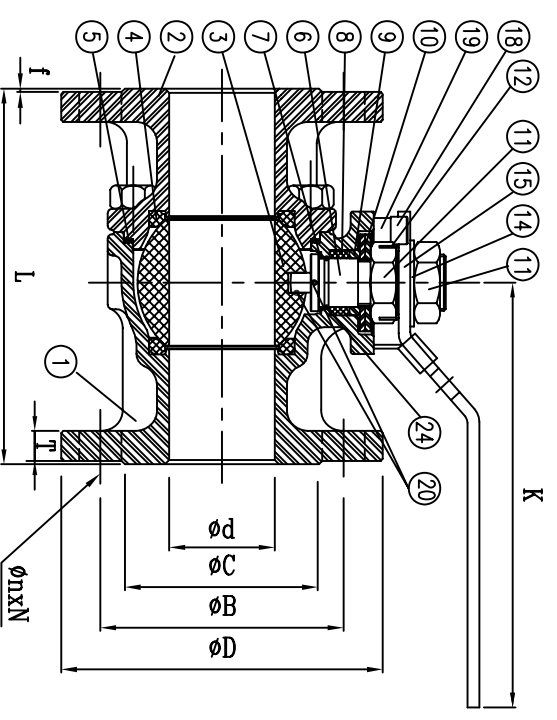
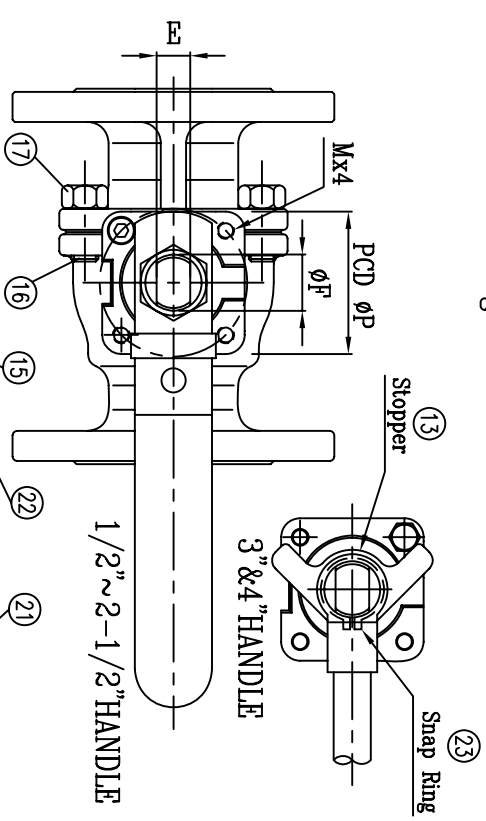


Fig.No. ZT-F601 Two Piece Flange Ball Valves – FULL PORT

FEATURE & SPECIFICATIONS

- * Two piece design facilitates inspection and repair
- * Blow-out proof stem
- * Anti-Static design is standard



- * Temperature range: -20 to 450°F
- * Face to face: ANSI B16.10
- * Flange dimensions: ANSI B16.5
- * Pressure rating: Class 150

UNIT:mm

SIZE	ød	øB	øC	øD	E	øF	K	L	T	f	øn	N	M	øP
1/2"	15	60.5	35	88.9	8	12	145	108	9.6	1.6	15.9	4	M5	42
3/4"	20	69.9	43	98.6	8	12	145	117	9.6	1.6	15.9	4	M5	42
1"	25	79.2	51	108	8.7	14	178	127	9.6	1.6	15.9	4	M6	50
1-1/4"	32	88.9	63.5	117.3	8.7	14	178	139.7	11.1	1.6	15.9	4	M6	50
1-1/2"	38	98.6	73	127	15	22	255	165	12.7	1.6	15.9	4	M8	70
2"	50	120.7	92	152.4	15	22	255	178	14.2	1.6	19.1	4	M8	70
2-1/2"	65	139.7	105	177.8	15	22	255	190.5	16	1.6	19.1	4	M8	70
3"	80	152.4	127	190.5	17	25.8	350	203	17.5	1.6	19.1	4	M10	102
4"	100	190.5	157	228.6	17	25.8	400	228.6	22.3	1.6	19.1	8	M10	102

NO.	PART NAME	MATERIAL
1	BODY	ASTM A351 GR. CF8M/CF8/A216 WCB
2	CAP	ASTM A351 GR. CF8M/CF8/A216 WCB
3	BALL	ASTM A351 GR. CF8M/CF8
4	SEAT	RPTEE
5	GASKET	PTFE
6	STEM	SS316/SS304
7	THRUST WASHER	POLYFILL TEFLON
8	PACKING	PTFE
9	RING	SS304
10	BEVEL WASHER	SS301
11	HEX. NUT	SS304
12	LOCK	SS304
13	STOPPER	SS304
14	HANDLE WASHER	SS304
15	HANDLE	SS304
16	BOLT	SS304
17	HEX. NUT	SS304
18	BOLT	SS304
19	WASHER	SS304
20	STATIC DEVICE	SS304
21	HANDLE PIPE	SS304
22	BOLT	SS304
23	SNAP RING	SS304
24	O-RING	VITON

ZHE THAI MACHINERY CO., LTD.