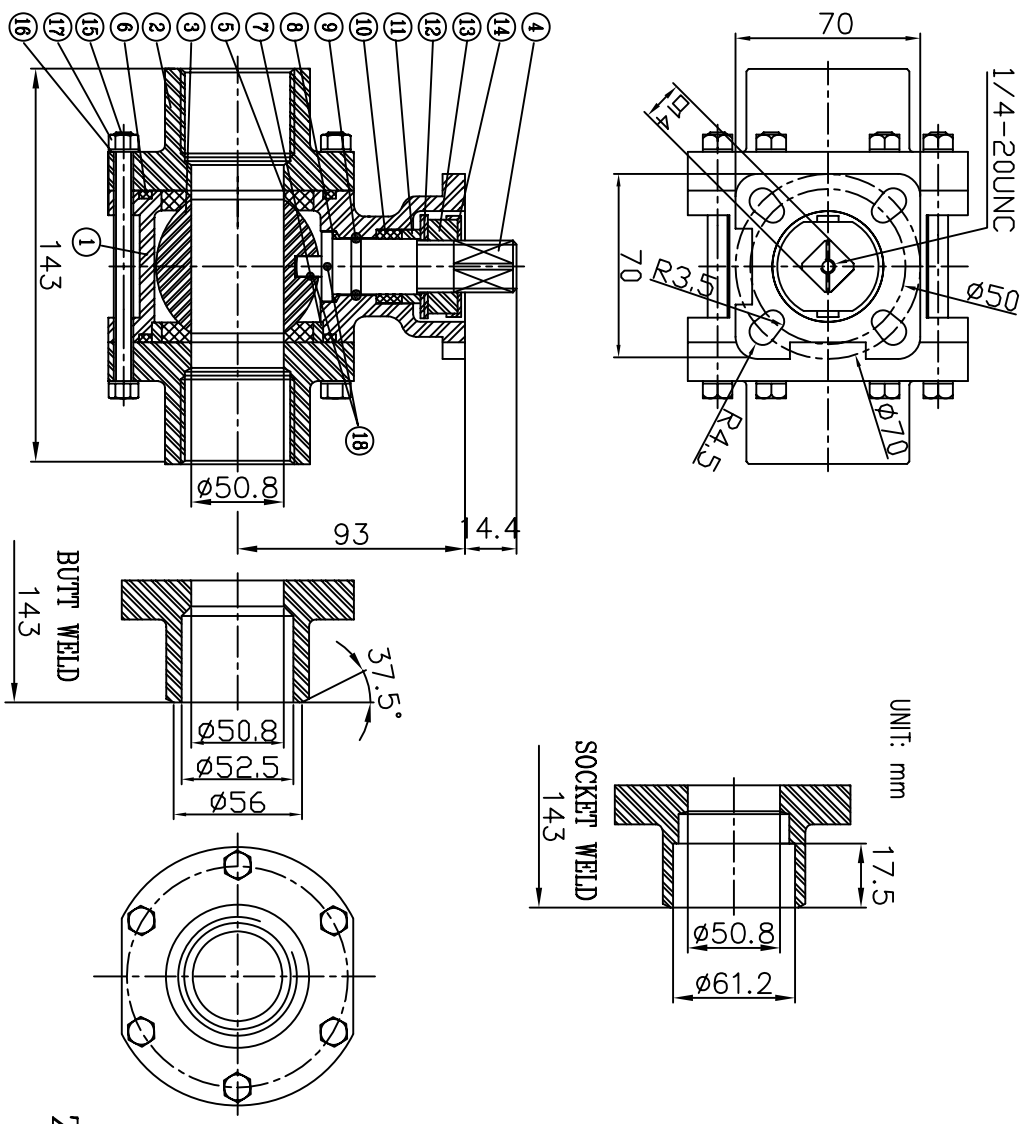


Fig.No. ZT-304D Three Piece Swing-out In-line Maintenance
2"-1500PSI STAINLESS STEEL BALL VALVES-FULL PORT

FEATURE & SPECIFICATIONS

- * Direct-mounting of actuators to valves
- * Blow-out proof stem
- * Anti-Static design is standard
- * Fire safe design in compliance with API 607
- * Working Pressure: 1500 psi W.O.G
- * Temperature range: -20 to 450°F
- * End Type: Threaded, Butt & Socket weld



NO.	PART NAME	Q'ty	MATERIAL
1	BODY	1	ASTM A351 GR.CF8M
2	CAP	2	ASTM A351 GR.CF8M
3	BALL	1	ASTM A351 GR.CF8M
4	STEM	1	SS316
5	SEAT	2	PTFE
6	GASKET	2	PTFE
7	GASKET RING	1	SS316
8	THRUST WASHER	1	MG1241/POLYFILL TEFION
9	O-RING	1	VITON
10	STEM PACKING	1	RPTFE
11	GLAND	1	ASTM A351 GR.CF8M
12	BEVEL WASHER	2	SS301
13	STEM NUT	1	SS304
14	LOCK CAP	1	SS304
15	BOLTS	6	SS304
16	BOLT WASHERS	12	SS304
17	BOLT NUTS	12	SS304
18	STATIC DEVICE	2	SS304

ZHE THAI MACHINERY CO., LTD.