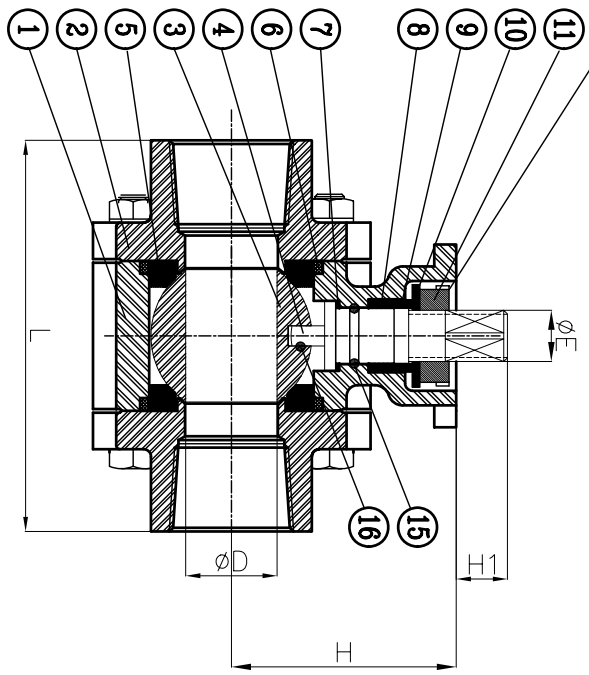
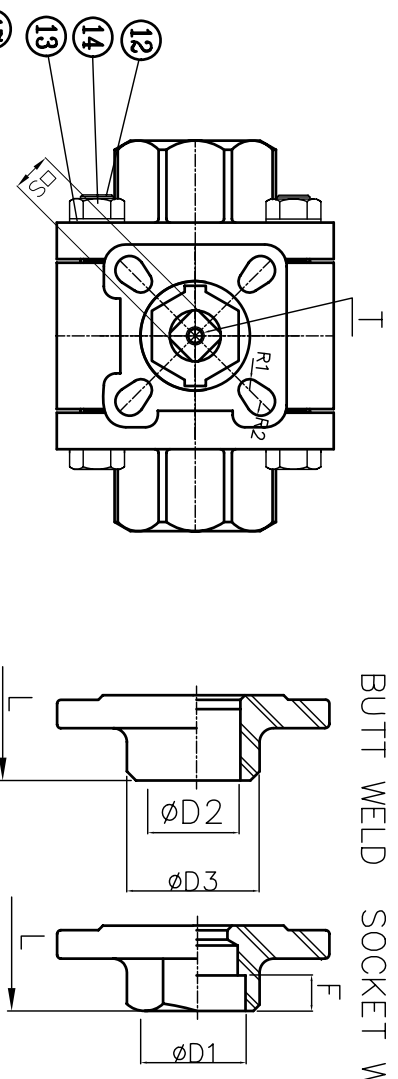


Fig.No. ZT-304D Three Piece Swing-out In-line Maintenance  
2000PSI STAINLESS STEEL BALL VALVES-FULL PORT

**FEATURE & SPECIFICATIONS**

- \* Direct-mounting of actuators to valves
- \* Blow-out proof stem
- \* Anti-Static design is standard
- \* Working Pressure: 3/8"~1" 2000 WOG,1-1/4"~1-1/2" 1500 WOG
- \* Temperature range: -20 to 450°F
- \* End Type: Threaded Socket & Butt weld



SIZE	$\phi D$	$\phi D1$	$\phi D2$	$\phi D3$	F	L	S	$\phi E$	H	H1	T	R1	R2	ISO-5211
3/8"	11	17.5	12.5	17.1	9.5	70	9	11.8	35	10		3	3	F03/04
1/2"	14.3	22.4	15.8	21.3	9.5	74	9	11.8	39.5	10		3	3	F03/04
3/4"	20	27.4	21	27.1	14.3	99	9	11.8	42.5	10	1/4-20	3	3	F03/04
1"	25.4	34.2	26.6	34.1	15.9	110	11	13.8	61.5	12	UNC	3	3.5	F04/05
1 1/4"	31.8	43	35.1	42.2	17.5	117	11	13.8	65	12		3	3.5	F04/05
1 1/2"	38.1	49	40.9	48.3	19.1	128	14	17.8	82.5	14.5		3.5	4.5	F04/05

UNIT:mm

NO.	PART NAME	MATERIAL	
		STAINLESS STEEL	
1	BODY	ASTM A351 GR. CF8M	
2	CAP	ASTM A351 GR. CF8M	
3	BALL	ASTM A351 GR. CF8M	
4	STEM	SS316	
5	SEAT	PTFE	
6	END SEAL	PTFE	
7	THRUST WASHER	MG1241	
8	STEM PACKING	PTFE	
9	GLAND	SS304	
10	BEVEL WASHER	SS301	
11	STEM NUT	SS304	
12	BOLTS	SS304	
13	BOLT WASHERS	SS304	
14	BOLT NUTS	SS304	
15	O-RING	VITON	
16	STATIC DEVICE	SS304	
17	LOCK CAP	SS304	

ZHE THAI MACHINERY CO.,LTD.