

Fig.No. ZT-301 Three-Piece 1000PSI STAINLESS/CARBON STEEL BALL VALVES – FULL PORT

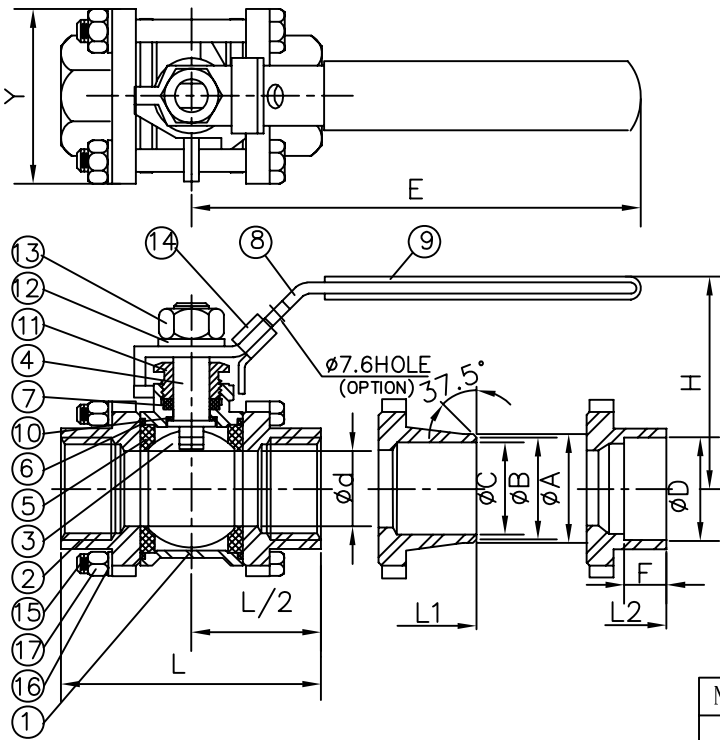
- * For food and general chemical service applications
- * Adjustable stem packing
- * Blow-out proof stem design
- * Body and end caps quality investment casting
- * In-line repairable
- * Available in carbon or stainless steel body construction
- * 100% tested by air under water, at 100psi, open and closed positions

SPECIFICATIONS

- * Working pressure: 1/4" ~2" 1000 psi W.O.G
- 2-1/2" ~3" 800 psi W.O.G
- 4" 600 psi W.O.G
- * Temperature Range: -20 to 450°F
- * End Type: Threaded, Socket, & Butt Weld

OPTIONS

- * Padlocking device

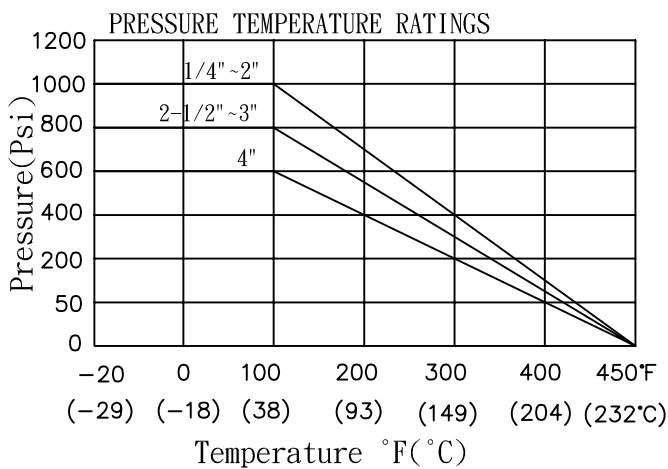


DIMENSIONS (mm)

SIZE	Ød	L	L1	L2	H	E	ØA	ØB	ØC	ØD	F	Y	Cv FACTOR	W (kg)
1/4"	11.6	60	60	60	56	100	18	12	10	14	10.5	39	6.0	0.35
3/8"	12.5	60	60	60	56	100	18	16	13	17.5	10.5	39	12.0	0.43
1/2"	15	65.5	64.5	65.5	58	100	23	19	15.8	22	11	47	19.0	0.52
3/4"	20	79	76	79	60	120	28	24	21	27.5	13.5	52.5	37.0	0.72
1"	25	86.0	86	86	70	148	35	31.5	26.6	34.5	13.5	59	64.0	1.02
1-1/4"	32	105	105	105	75	148	43	39	35	43.3	14	72	103	1.72
1-1/2"	38	119	120	120	86	164	50	45	40.5	49.2	15	80.5	143	2.42
2"	50	133	134	134	93	164	61	56	52.5	61.2	17.5	94	360	3.6
2-1/2"	65	163	163	163	130	248	75	69	65	77	18.5	121.5	440	7.52
3"	80	184	184	184	137	248	95	85	80	89.9	20	135	520	10.8
4"	100	228	228	228	180	290	120	105	101	115	25	220	820	19.5

MATERIALS LIST

NO	PART NAME	SPECIFICATION
1	BODY	ASTM A351 GR. CF8M/A216 WCB
2	END CAP	ASTM A351 GR. CF8M/A216 WCB
3	BALL	ASTM A351 GR. CF8M/CF8
4	STEM	SS316
5	BALL SEATS	PTFE
6	END SEAL	PTFE
7	STEM PACKINGS	PTFE
8	HANDLE	SS304
9	HANDLE SLEEVE	VINYL GRIP
10	THRUST WASHER	PTFE
11	GLAND	SS304
12	HANDLE WASHER	SS304
13	HANDLE NUT	SS304
14	LOCKING PLATE	SS304
15	BOLTS	SS304
16	BOLT WASHERS	SS304
17	BOLT NUTS	SS304



ZHE THAI MACHINERY CO., LTD.