

# Fig. No. ZT-203 Two-Piece Screwed Body

## 1000PSI STAINLESS STEEL BALL VALVES-FULL PORT

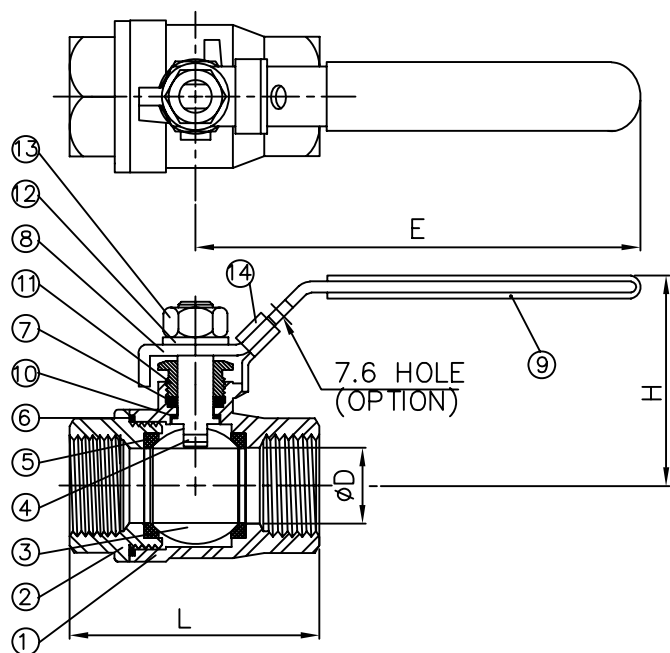
- \* For food and general chemical service applications
- \* Adjustable stem pack
- \* Blow-out proof design
- \* Body and end caps quality investment casting
- \* Available in carbon or stainless steel body construction
- \* Designed for easy actuator mounting
- \* 100% tested by air under water, at 100psi, open and closed positions

**SPECIFICATIONS**

- \* Working pressure: 1000 psi W.O.G
- \* Temperature Range: -20° to 450°F
- \* End Type: Threaded

**OPTIONS**

- \* Padlocking device

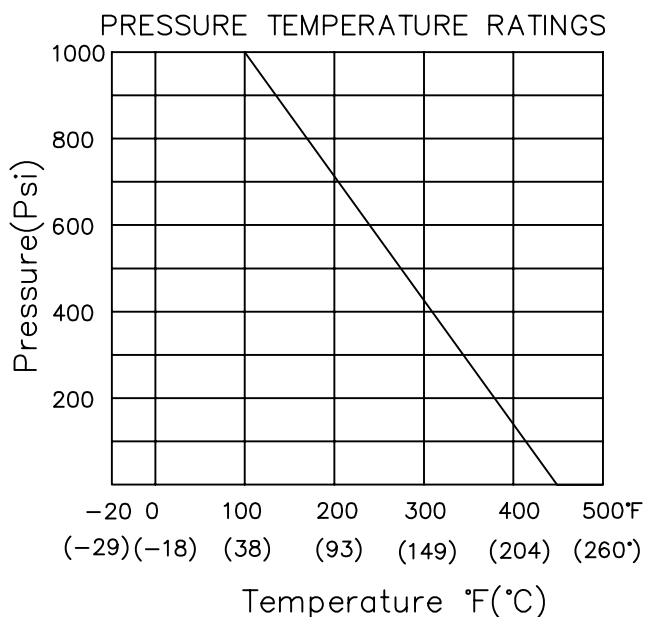


**DIMENSIONS (mm)**

SIZE	$\phi D$	E	H	L	W(kg)	$C_v$ FACTOR
1/4"	11.6	100	51	53.5	0.23	6.0
3/8"	12.5	100	51	53.5	0.23	12.0
1/2"	15	100	53	57	0.31	19.0
3/4"	20	122	60	64	0.46	37.0
1"	25	150	68	78	0.71	64.0
1 1/4"	32	150	73	93.5	1.1	103
1 1/2"	38	164	87	105	1.66	143
2"	50	164	95	117	2.69	360

**MATERIALS LIST**

NO	PART NAME	SPECIFICATION
1	BODY	ASTM A351 GR.CF8M
2	END CAP	ASTM A351 GR.CF8M
3	BALL	ASTM A351 GR.CF8M
4	STEM	SS316
5	BALL SEATS	PTFE
6	END SEAL	PTFE
7	STEM PACKINGS	PTFE
8	HANDLE	SS304
9	HANDLE SLEEVE	VINYL GRIP
10	THRUST WASHER	PTFE
11	GLAND	SS304
12	HANDLE WASHER	SS304
13	HANDLE NUT	SS304
*14	LOCKING PLATE	SS304



ZHE THAI MACHINERY CO., LTD.