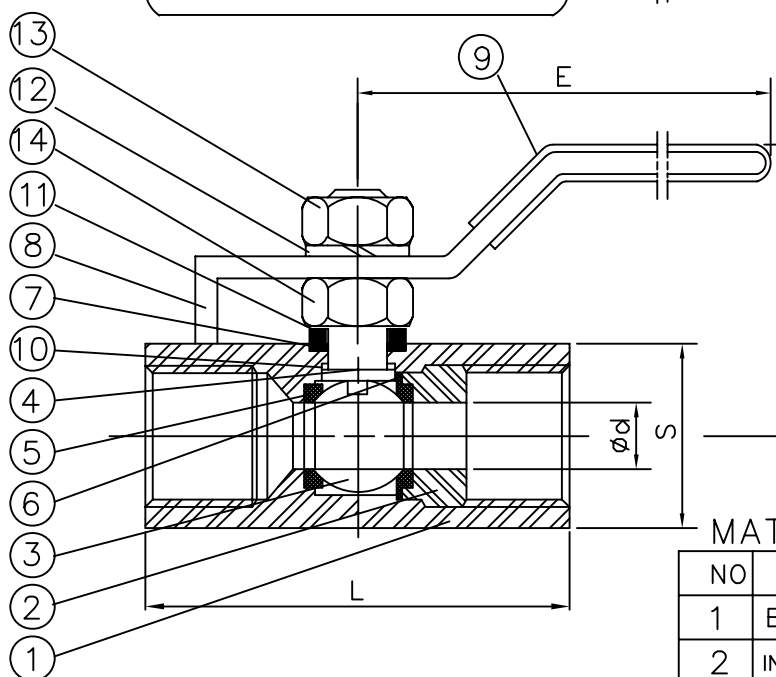
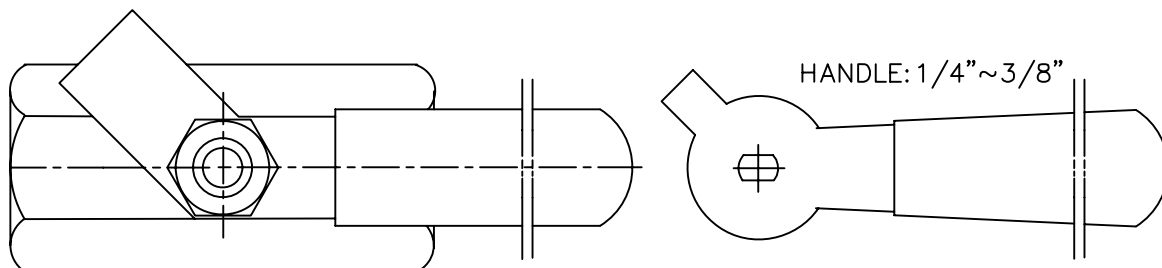


Fig. No. ZT-105 One Piece Hexagon 2000 PSI STAINLESS STEEL BALL VALVES - REDUCE PORT

- * For chemical and industrial applications
- * Blow-out-proof stem design
- * 100% tested by air under water, at 100 psi, open and closed positions

SPECIFICATIONS

- * Working Pressure: 1/4"~1" 2000psi W.O.G
1-1/4"~2" 1500psi W.O.G
- * Temperature Range: -20 to 450°F
- * End types: Threaded



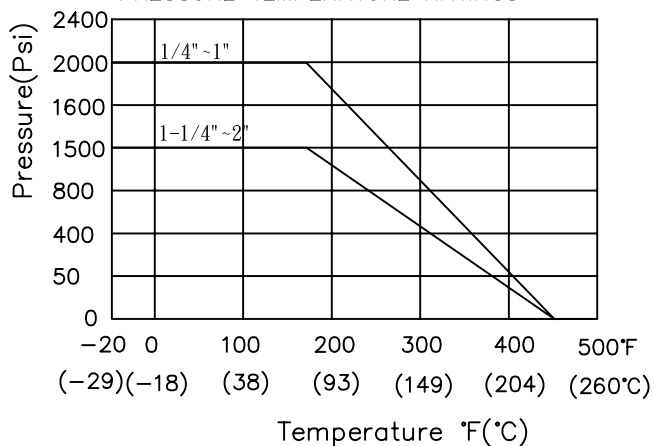
DIMENSIONS (mm)

SIZE	d	H	E	S	L	Cv FACTOR	W(kg)
1/4"	5	29	61	17.5	46.5	1.0	0.08
3/8"	7	35	80	21	51	2.5	0.12
1/2"	9.2	66	104	28.5	56	5.5	0.28
3/4"	12.5	69	107	34.5	65	10.0	0.44
1"	15	75	118	40.5	76	15.5	0.61
1-1/4"	20	78	146	53.5	92	20.0	1.26
1-1/2"	25	85	148	57.5	98	37.0	1.42
2"	32	98	150	73	114	60.0	2.68

MATERIALS LIST

NO	PART NAME	SPECIFICATION
1	BODY	ASTM A351 GR.CF8M
2	INSCREWED SEAT RETAINER	ASTM A351 GR.CF8M
3	BALL	ASTM A351 GR.CF8M
4	STEM	SS316
5	BALL SEAT	RPTFE
6	CAP SEAL	PTFE
7	PACKING	PTFE
8	HANDLE	SS304
9	HANDLE SLEEVE	VINYL GRIP
10	THRUST WASHER	PTFE
11	GLAND	SS304
12	WASHER	SS304
13	HANDLE NUT	SS304
14	STEM NUT	SS304

PRESSURE TEMPERATURE RATINGS



ZHE THAI MACHINERY CO., LTD.