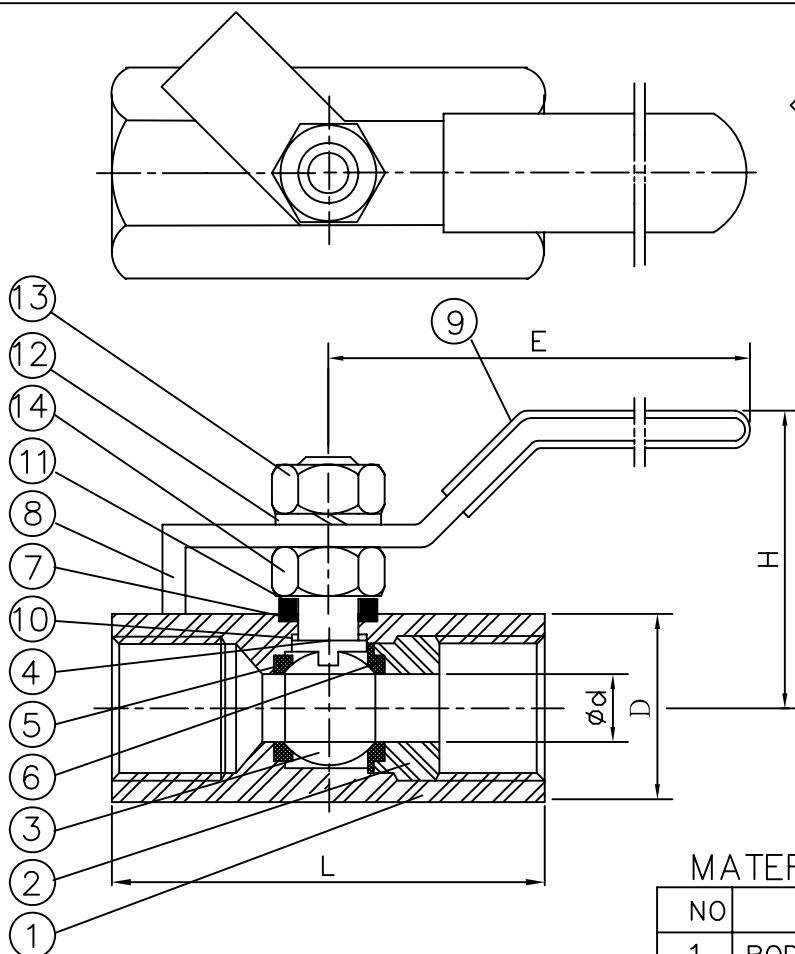


# Fig. No. ZT-104 One Piece Hexagon 2000 CWP CARBON STEEL BALL VALVES - REDUCE PORT

- \* For chemical and industrial applications
- \* Blow-out-proof stem design
- \* 100% tested by air under water, at 100 psi, open and closed positions

### SPECIFICATIONS

- \* Working Pressure: 2000 CWP
- \* Temperature Range: -20 to 450°F
- \* End types: Threaded

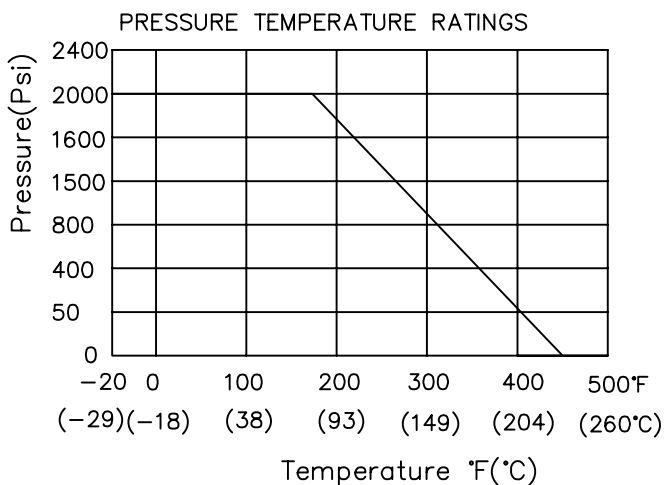


### DIMENSIONS (mm)

SIZE	ød	D	H	E	L	Cv FACTOR	W(kg)
1/4"	5	19	29	61	44	1.0	0.1
3/8"	7	23	35	80	48	2.5	0.14
1/2"	9.2	29	66	104	56	5.5	0.28
3/4"	12.5	35	69	107	65.5	10.0	0.42
1"	15	41	75	118	86	15.5	0.64
1-1/4"	20	55	78	146	92	20.0	1.38
1-1/2"	25	60	85	148	96	37.0	1.4
2"	32	73	98	150	114	60.0	2.68

### MATERIALS LIST

NO	PART NAME	SPECIFICATION
1	BODY	ASTM A108 CL.1018 or AISI 1021 C.S.
2	INSCREWED SEAT RETAINER	
3	BALL	SS304
4	STEM	SS316
5	BALL SEAT	RPTFE
6	CAP SEAL	PTFE
7	PACKING	PTFE
8	HANDLE	SS304
9	HANDLE SLEEVE	VINYL GRIP
10	THRUST WASHER	PTFE
11	GLAND	SS304
12	WASHER	SS304
13	HANDLE NUT	SS304
14	STEM NUT	SS304



# ZHE THAI MACHINERY CO., LTD.