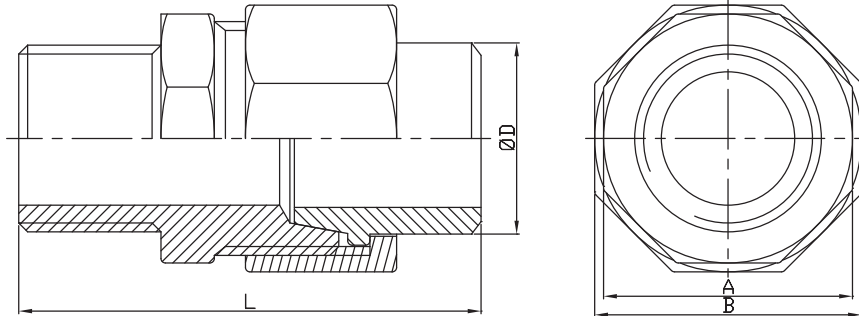


Union BW/M

U06

1000 Psi



SIZE	3/8"		1/2"		3/4"		1"		1-1/4"		1-1/2"		2"	
	mm	in	mm	in	mm	in	mm	in	mm	in	mm	in	mm	in
A	22	0.87	28	1.1	35	1.38	43	1.69	52	2.05	57	2.24	68	2.68
B	24	0.94	30	1.18	36	1.42	46	1.81	55	2.17	60	2.36	70	2.76
D	17	0.67	21.5	0.85	27	1.06	33.5	1.32	42.5	1.67	48.5	1.91	60	2.36
L	47	1.85	52	2.05	59	2.32	64	2.52	65	2.56	65	2.56	73	2.87

Tolerance: ±0.5mm



8F., No.201, Sec. 2, Tiding Blvd., Neihu District, Taipei City 114, Taiwan R.O.C.
 TEL : +886-2-2658-5800 FAX : +886-2-2658-2266 / 2799-7766

[Http://www.haitima.com.tw](http://www.haitima.com.tw)
 E-mail : haitima@seed.net.tw