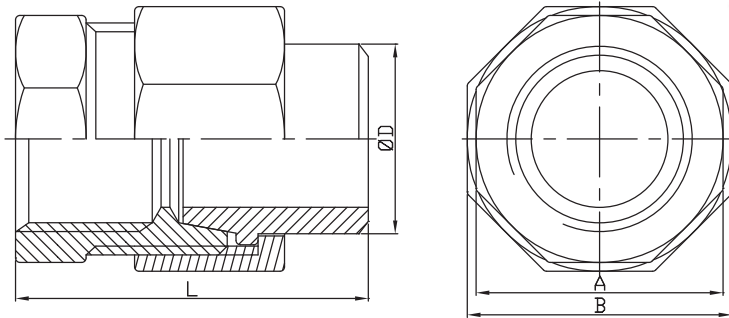


# Union BW/F

# U05

## 1000 Psi



| SIZE | 3/8" |      | 1/2" |      | 3/4" |      | 1"   |      | 1-1/4" |      | 1-1/2" |      | 2" |      |
|------|------|------|------|------|------|------|------|------|--------|------|--------|------|----|------|
|      | mm   | in   | mm   | in   | mm   | in   | mm   | in   | mm     | in   | mm     | in   | mm | in   |
| A    | 22   | 0.87 | 28   | 1.1  | 35   | 1.38 | 43   | 1.69 | 52     | 2.05 | 57     | 2.24 | 68 | 2.68 |
| B    | 24   | 0.94 | 30   | 1.18 | 36   | 1.42 | 46   | 1.81 | 55     | 2.17 | 60     | 2.36 | 70 | 2.76 |
| D    | 17   | 0.67 | 21.5 | 0.85 | 27   | 1.06 | 33.5 | 1.32 | 42.5   | 1.67 | 48.5   | 1.91 | 60 | 2.36 |
| L    | 35   | 1.38 | 40   | 1.57 | 45   | 1.77 | 50   | 1.97 | 53     | 2.09 | 53     | 2.09 | 61 | 2.4  |

Tolerance:  $\pm 0.5\text{mm}$



8F., No.201, Sec. 2, Tiding Blvd., Neihu District, Taipei City 114, Taiwan R.O.C.  
 TEL : +886-2-2658-5800 FAX : +886-2-2658-2266 / 2799-7766

[Http://www.haitima.com.tw](http://www.haitima.com.tw)  
 E-mail : [haitima@seed.net.tw](mailto:haitima@seed.net.tw)