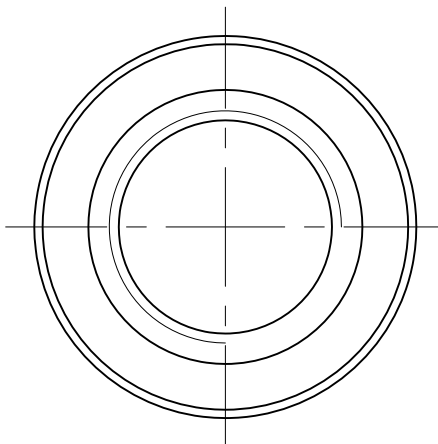
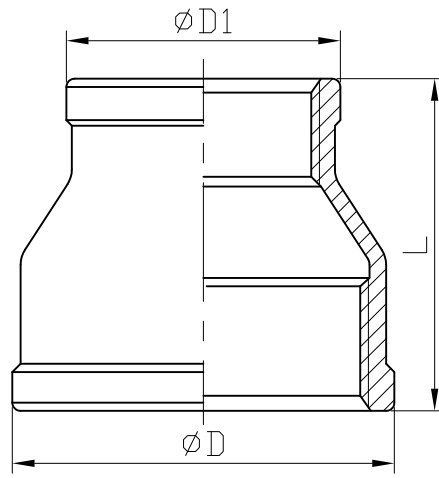


# Reducing Socket

Ra	0.2	▽▽▽▽
1.6	▽▽	▽▽
6.3	▽	▽
25	▽	▽
0.1	±0.1	±0.2
0.2	±0.2	±0.3
0.3	±0.3	±0.5
0.5	±0.5	±0.8
0.8	±0.8	±1.0
1.0	±1.0	±1.5
1.5	±1.5	±2.0
2.0	±2.0	±3.0
3.0	±3.0	±4.0
4.0	±4.0	±5.0
5.0	±5.0	±6.0
6.0	±6.0	±7.0
8.0	±8.0	±9.0
10.0	±10.0	±12.0
15.0	±15.0	±18.0
20.0	±20.0	±25.0
25.0	±25.0	±30.0
30.0	±30.0	±35.0
40.0	±40.0	±45.0
50.0	±50.0	±55.0
60.0	±60.0	±65.0
80.0	±80.0	±85.0
100.0	±100.0	±110.0

HAITIMA CORPORATION  
 P.O. BOX 34-36 TAIPEI  
 Tel: +886-2-26585800  
 E-mail: haitima@seed.net.tw  
 www.haitima.com.tw  
 TAIWAN R.O.C.  
 Fax: +886-2-26582266



DN	D	D1	L
8	6	18	26
10	6	21.5	27
	8	21.5	27
15	8	26.7	36
	10	26.7	36
20	10	32	38
	15	32	38
25	15	40	44
	20	40	44
32	20	49.5	51
	25	49.5	51
40	25	56	55
	32	56	55
50	32	69	61
	40	69	61
65	40	86	69
	50	86	69
80	50	100	76
	65	100	76
100	65	127	98
	80	127	98

unit:mm

NPS	D	D1	L
1/4"	1/8"	0.71	1.02
3/8"	1/8"	0.85	1.06
	1/4"	0.85	1.06
1/2"	1/4"	1.05	1.42
	3/8"	1.05	1.42
3/4"	3/8"	1.26	1.5
	1/2"	1.26	1.5
1"	1/2"	1.57	1.73
	3/4"	1.57	1.73
1-1/4"	3/4"	1.95	2.01
	1"	1.95	2.01
1-1/2"	1"	2.2	2.17
	1-1/4"	2.2	2.17
2"	1-1/4"	2.72	2.4
	1-1/2"	2.72	2.4
2-1/2"	1-1/2"	3.39	2.72
	2"	3.39	2.72
3"	2"	3.94	2.99
	2-1/2"	3.94	2.99
4"	2-1/2"	5	3.86
	3"	5	3.86

unit:in

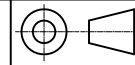
Tolerance : ±0.5mm(1/8"~2")  
 ±0.8mm(2-1/2"~4")

\*ISO 4144

△			
△			
△			
Revise	Description	Date	Approve
DRAWING NO.		-15	



CHECK BY	DRAWING BY	DATE	SPECIFICATION	Reducing Socket
	Yuan	Aug.17.2015	MATERIAL	304/316
			PROCESS/Nr.	
			UNIT / SCALE	mm



124