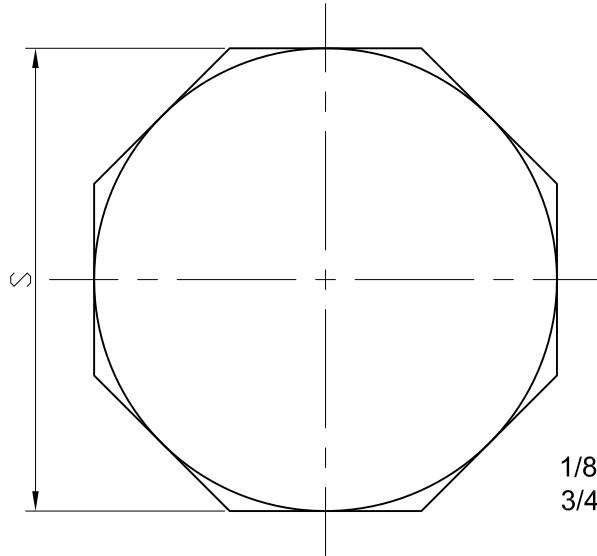
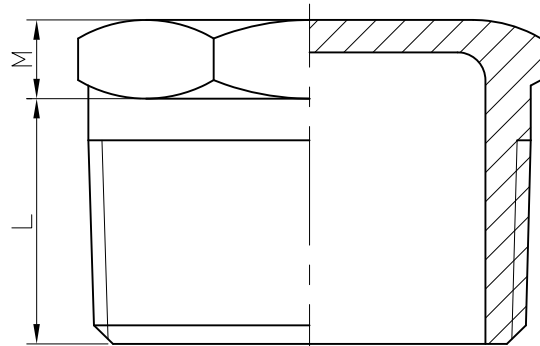


±0.1 0.5~5	▽	Ra
±0.2 6~30	▽	0.2
±0.3 31~120	▽	1.6
±0.5 121~320	▽	6.3
±0.8 321~1000	▽	25
GENERAL TOLERANCE	▽	JIS

Hexagon Plug



DN	M	L	S
6	5	9	13
8	5	11.5	15
10	6	12	18
15	6	15.5	23
20	6.5	16.5	29
25	7	19	35.5
32	8	22	45.5
40	8	22	50
50	8.5	26.5	62
65	9	29	78
80	9.5	32	91
100	10	38	117

unit:mm

NPS	M	L	S
1/8"	0.2	0.35	0.51
1/4"	0.2	0.45	0.59
3/8"	0.24	0.47	0.71
1/2"	0.24	0.61	0.91
3/4"	0.26	0.65	1.14
1"	0.28	0.75	1.4
1-1/4"	0.31	0.87	1.79
1-1/2"	0.31	0.87	1.97
2"	0.33	1.04	2.44
2-1/2"	0.35	1.14	3.07
3"	0.37	1.26	3.58
4"	0.39	1.5	4.61

unit:in

Tolerance : ±0.5mm(1/8"~2")
±0.8mm(2-1/2"~4")

1/8"~1/2"Hexagon
3/4"~4"Octagon

HAITIMA CORPORATION
P.O.BOX 34-36 TAIPEI
Tel:+886-2-26585800
E-mail:haitima@seed.net.tw
www.haitima.com.tw
TAIWAN R.O.C.
Fax:+886-2-26582266



HAITIMA CORPORATION

*ISO 4144

CHECK BY	DRAWING BY	DATE	SPECIFICATION	Hexagon Plug
	<i>Juan</i>	Aug.19.2015	MATERIAL	304/316
			PROCESS/Nr.	
			UNIT / SCALE	mm

Revise	Description	Date	Approve
DRAWING NO.		-15	

117