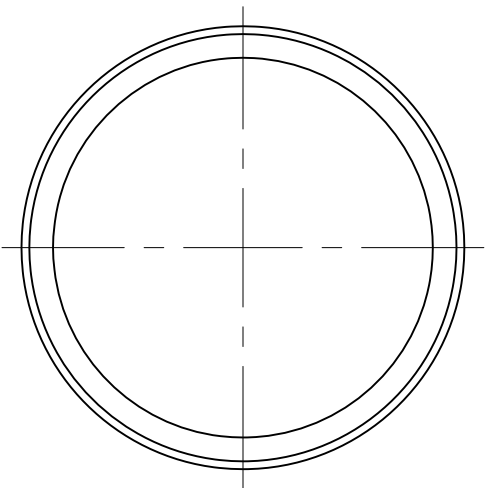
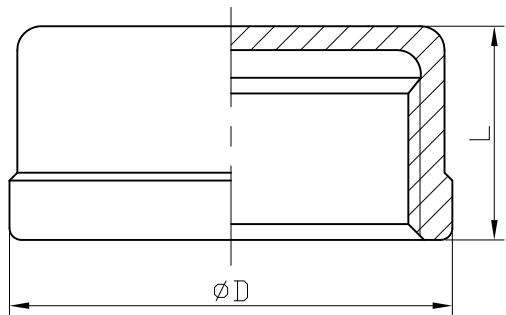


Ra	0.2	▽▽▽▽	JIS
	1.6	▽▽▽	
	6.3	▽▽	
	25	▽	
	0.1	~	
GENERAL TOLERANCE	±0.1 ±0.2 ±0.3	0.5~5 6~30 31~120 121~320 321~1000	

# Round Cap



DN	D	L
6	15	11.5
8	18	15
10	21.5	15.5
15	26.7	19.5
20	32	20.5
25	40	23.5
32	49.5	27
40	56	27
50	69	31.5
65	86	37
80	100	40.5
100	127	47

unit:mm

NPS	D	L
1/8"	0.59	0.45
1/4"	0.71	0.59
3/8"	0.85	0.61
1/2"	1.05	0.77
3/4"	1.26	0.81
1"	1.57	0.93
1-1/4"	1.95	1.06
1-1/2"	2.2	1.06
2"	2.72	1.24
2-1/2"	3.39	1.46
3"	3.94	1.59
4"	5	1.85

unit:in

Tolerance : ±0.5mm(1/8"~2")  
±0.8mm(2-1/2"~4")

HAITIMA CORPORATION  
P.O.BOX 34-36 TAIPEI  
Tel:+886-2-26585800

E-mail:haitima@seed.net.tw  
TAIWAN R.O.C.  
www.haitima.com.tw  
Fax:+886-2-26582266



HAITIMA CORPORATION

CHECK BY	DRAWING BY	DATE	SPECIFICATION	Round Cap
	<i>Juan</i>	Aug.19.2015	MATERIAL	304/316
			PROCESS/Nr.	
			UNIT / SCALE	mm

\*ISO 4144

△			
△			
△			
Revise	Description	Date	Approve
DRAWING NO.		-15	

114