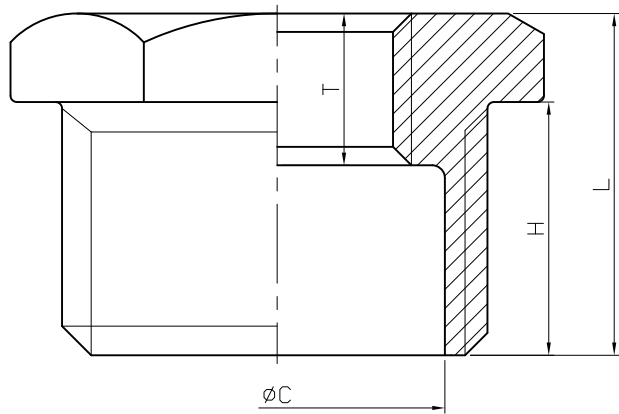
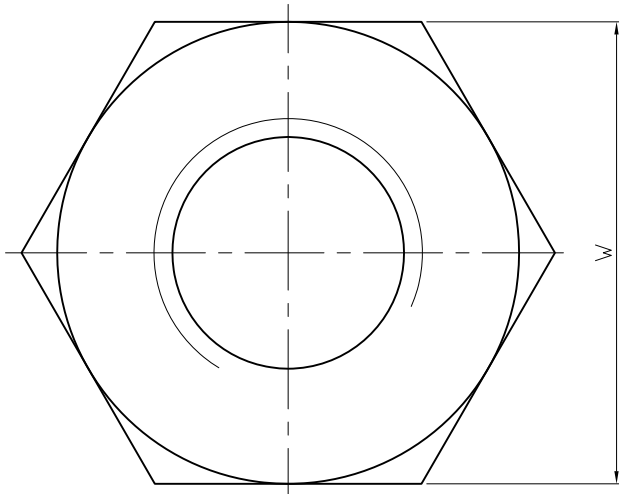


Hexagon Bushing

Ra	0.2	▽▽▽▽	JIS
	1.6	▽▽▽	
	6.3	▽▽	
	25	▽	
GENERAL TOLERANCE	± 0.1 6~30 31~120 121~320 321~1000	± 0.2 ± 0.3 ± 0.5 ± 0.8	



DN	C	L	H	T	W	
8	6	8.2	16.5	11.5	7	15
	10	11	18	12	7	18
15	8	11	18	12	10.7	18
	6	14.5	21.5	15.5	7	23
	8	14.5	21.5	15.5	10.7	23
20	10	14.5	21.5	15.5	11.1	23
	6	19.7	23.5	16.5	7	29
	8	19.7	23.5	16.5	10.7	29
	10	19.7	23.5	16.5	11.1	29
25	15	19.7	23.5	16.5	14.7	29
	6	25.5	26	19	7	35.5
	8	25.5	26	19	10.7	35.5
	10	25.5	26	19	11.1	35.5
32	15	25.5	26	19	14.7	35.5
	8	33.5	29.5	21.5	10.7	45.5
	10	33.5	29.5	21.5	11.1	45.5
	15	33.5	29.5	21.5	14.7	45.5
40	20	33.5	29.5	21.5	15.5	45.5
	25	33.5	29.5	21.5	18.3	45.5
	8	39	29.5	21.5	10.7	50
	10	39	29.5	21.5	11.1	50
	15	39	29.5	21.5	14.7	50
50	20	39	29.5	21.5	15.5	50
	25	39	29.5	21.5	18.3	50
	32	39	29.5	21.5	20.1	50
	8	50.2	34.5	26	10.7	62
	10	50.2	34.5	26	11.1	62
65	15	50.2	34.5	26	14.7	62
	20	50.2	34.5	26	15.5	62
	25	50.2	34.5	26	18.3	62
	32	50.2	34.5	26	20.1	62
	40	50.2	34.5	26	20.5	62
80	15	65	36.5	28.5	14.7	78
	20	65	36.5	28.5	15.5	78
	25	65	36.5	28.5	18.3	78
	32	65	36.5	28.5	20.1	78
	40	65	36.5	28.5	20.5	78
100	50	65	36.5	28.5	25	78
	15	76.5	40.5	31.5	14.7	91
	20	76.5	40.5	31.5	15.5	91
	25	76.5	40.5	31.5	18.3	91
	32	76.5	40.5	31.5	20.1	91
120	40	76.5	40.5	31.5	20.5	91
	50	76.5	40.5	31.5	25	91
	65	76.5	40.5	31.5	28.5	91
	25	100.5	47	37.5	18.3	117
	32	100.5	47	37.5	20.1	117
150	40	100.5	47	37.5	20.5	117
	50	100.5	47	37.5	25	117
	65	100.5	47	37.5	28.5	117
80	100.5	47	37.5	37	117	

unit:mm

NPS	C	L	H	T	W	
1/4"	1/8"	0.32	0.65	0.45	0.28	0.59
	1/8"	0.43	0.71	0.47	0.28	0.71
3/8"	1/4"	0.43	0.71	0.47	0.42	0.71
	1/8"	0.57	0.85	0.61	0.28	0.91
1/2"	1/4"	0.57	0.85	0.61	0.42	0.91
	3/8"	0.57	0.85	0.61	0.44	0.91
	1/8"	0.78	0.93	0.65	0.28	1.14
3/4"	1/4"	0.78	0.93	0.65	0.42	1.14
	3/8"	0.78	0.93	0.65	0.44	1.14
	1/2"	0.78	0.93	0.65	0.58	1.14
	1/8"	1	1.02	0.75	0.28	1.4
1"	1/4"	1	1.02	0.75	0.42	1.4
	3/8"	1	1.02	0.75	0.44	1.4
	1/2"	1	1.02	0.75	0.58	1.4
	3/4"	1	1.02	0.75	0.61	1.4
1-1/4"	1/4"	1.32	1.16	0.85	0.42	1.79
	3/8"	1.32	1.16	0.85	0.44	1.79
	1/2"	1.32	1.16	0.85	0.58	1.79
	3/4"	1.32	1.16	0.85	0.61	1.79
1-1/2"	1"	1.32	1.16	0.85	0.72	1.79
	1/4"	1.54	1.16	0.85	0.42	1.97
	3/8"	1.54	1.16	0.85	0.44	1.97
	1/2"	1.54	1.16	0.85	0.58	1.97
2"	3/4"	1.54	1.16	0.85	0.61	1.97
	1"	1.54	1.16	0.85	0.72	1.97
	1-1/4"	1.54	1.16	0.85	0.79	1.97
	1/4"	1.98	1.36	1.02	0.42	2.44
2-1/2"	3/8"	1.98	1.36	1.02	0.44	2.44
	1/2"	1.98	1.36	1.02	0.58	2.44
	3/4"	1.98	1.36	1.02	0.61	2.44
	1"	1.98	1.36	1.02	0.72	2.44
3"	1-1/4"	1.98	1.36	1.02	0.79	2.44
	1-1/2"	1.98	1.36	1.02	0.81	2.44
	1/2"	2.56	1.44	1.12	0.58	3.07
	3/4"	2.56	1.44	1.12	0.61	3.07
4"	1"	2.56	1.44	1.12	0.72	3.07
	1-1/4"	2.56	1.44	1.12	0.79	3.07
	1-1/2"	2.56	1.44	1.12	0.81	3.07
	2"	2.56	1.44	1.12	0.98	3.07
5"	1/2"	3.01	1.59	1.24	0.58	3.58
	3/4"	3.01	1.59	1.24	0.61	3.58
	1"	3.01	1.59	1.24	0.72	3.58
	1-1/4"	3.01	1.59	1.24	0.79	3.58
6"	1-1/2"	3.01	1.59	1.24	0.81	3.58
	2"	3.01	1.59	1.24	0.98	3.58
	2-1/2"	3.01	1.59	1.24	1.12	3.58
	1"	3.96	1.85	1.48	0.72	4.61
8"	1-1/4"	3.96	1.85	1.48	0.79	4.61
	1-1/2"	3.96	1.85	1.48	0.81	4.61
	2"	3.96	1.85	1.48	0.98	4.61
	2-1/2"	3.96	1.85	1.48	1.12	4.61
3"	3.96	1.85	1.48	1.46	4.61	

unit:in

Tolerance : ±0.5mm(1/8"~2")
±0.8mm(2-1/2"~4")

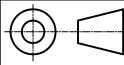
*ISO 4144

HAITIMA CORPORATION
P.O.BOX 34-36 TAIPEI
Tel:+886-2-26585800
E-mail:haitima@seed.net.tw
www.haitima.com.tw
www.haitima.com.tw
Fax:+886-2-26582266



HAITIMA CORPORATION

CHECK BY	DRAWING BY	DATE	SPECIFICATION	Hexagon Bushing
	Yuan	Aug.17.2015	MATERIAL	304/316
			PROCESS/Nr.	
			UNIT / SCALE	mm



△			
△			
△			
Revise	Description	Date	Approve
DRAWING NO.		-15	
112			