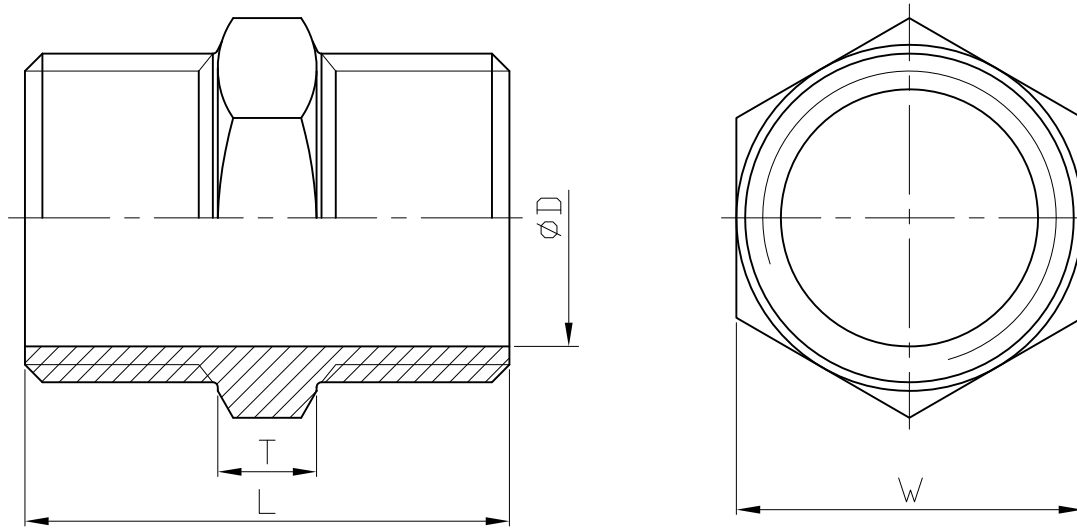


# Hexagon Nipple



1/8"~2" Hexagon  
2-1/2"~4" Octagon

DN	6	8	10	15	20	25	32	40	50	65	80	100
D	5	7.5	11	14.2	19.7	25.2	33.7	39.2	50.2	64.5	76.5	100.5
L	21.5	26.5	28.5	35.5	38	43.5	49	49	58.5	62.5	69	81.5
T	4.5	4.5	5.5	5.5	6	6.5	7	7	7.5	7.5	8	8.5
W	13	15	18	23	29	35	45	50	62	78	91	117

unit:mm

NPS	1/8"	1/4"	3/8"	1/2"	3/4"	1"	1-1/4"	1-1/2"	2"	2-1/2"	3"	4"
D	0.2	0.3	0.43	0.56	0.78	0.99	1.33	1.54	1.98	2.54	3.01	3.96
L	0.85	1.04	1.12	1.4	1.5	1.71	1.93	1.93	2.3	2.46	2.72	3.21
T	0.18	0.18	0.22	0.22	0.24	0.26	0.28	0.28	0.3	0.3	0.31	0.33
W	0.51	0.59	0.71	0.91	1.14	1.38	1.77	1.97	2.44	3.07	3.58	4.61

unit:in

Tolerance : ±0.5mm(1/8"~2")  
±0.8mm(2-1/2"~4")

\*ISO 4144

△			
△			
△			
Revise	Description	Date	Approve
DRAWING NO.		-15	

HAITIMA CORPORATION  
P.O.BOX 34-36 TAIPEI  
Tel:+886-2-26585800

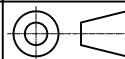
E-mail:haitima@seed.net.tw

TAIWAN R.O.C. www.haitima.com.tw  
Fax:+886-2-26582266



HAITIMA CORPORATION

CHECK BY	DRAWING BY	DATE	SPECIFICATION	Hexagon Nipple
	Yuan	Aug.17.2015	MATERIAL	304/316
			PROCESS/Nr.	
			UNIT / SCALE	mm



106-00