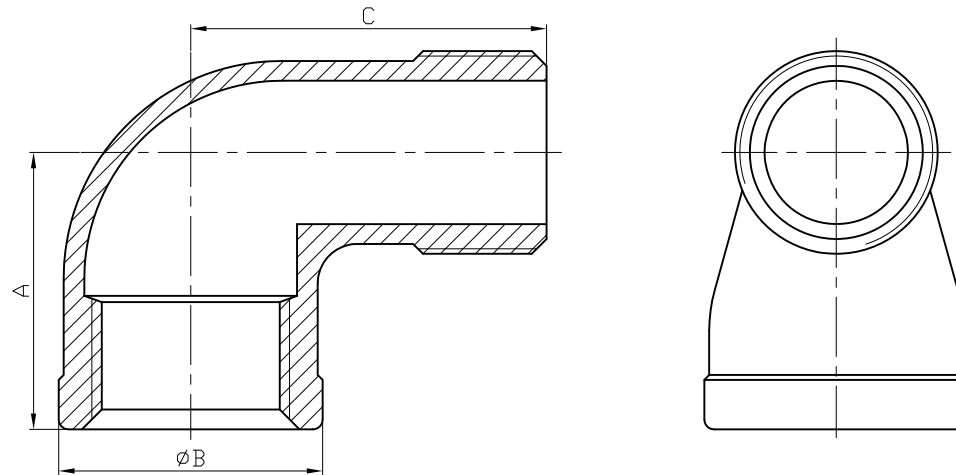


# 90° Street Elbow



± 0.1	0.1	Ra
± 0.2	0.2	
± 0.3	1.6	
± 0.5	6.3	
± 0.8	25	
		JIS

GENERAL TOLERANCE

0.5~5	± 0.1
6~30	± 0.2
31~120	± 0.3
121~320	± 0.5
321~1000	± 0.8

HAITIMA CORPORATION  
 P.O.BOX 34-36 TAIPEI  
 Tel:+886-2-26585800

DN	6	8	10	15	20	25	32	40	50	65	80	100
A	18	20	24	28	33	39	46	49	58	70	79	97
B	15	18	21.5	26.7	32.4	39.6	49.6	56.1	68.5	85.4	99.5	127
C	27	28	30	36	41	47	55	58	71	84	95	116

unit:mm

NPS	1/8"	1/4"	3/8"	1/2"	3/4"	1"	1-1/4"	1-1/2"	2"	2-1/2"	3"	4"
A	0.71	0.79	0.94	1.1	1.3	1.54	1.81	1.93	2.28	2.76	3.11	3.82
B	0.59	0.71	0.85	1.05	1.28	1.56	1.95	2.21	2.7	3.36	3.92	5
C	1.06	1.1	1.18	1.42	1.61	1.85	2.17	2.28	2.8	3.31	3.74	4.57

unit:in

Tolerance : ±0.5mm(1/8"~2")  
 ±0.8mm(2-1/2"~4")

\*ISO 4144



CHECK BY	DRAWING BY	DATE	SPECIFICATION	90° Street Elbow M/F	
	Yuan	Aug.17.2015	MATERIAL	304/316	
			PROCESS/Nr.		
			UNIT / SCALE	mm	

Revise	Description	Date	Approve
DRAWING NO. 103-00			
-15			