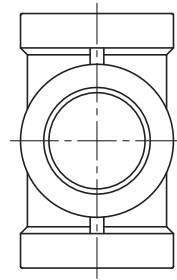
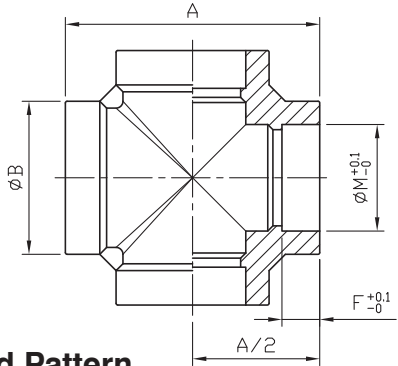


Cross SW

F41

Class 150



Standard Pattern

SIZE	1/8"		1/4"		3/8"		1/2"		3/4"		1"		1-1/4"		1-1/2"		2"		2-1/2"		3"		4"	
	mm	in	mm	in	mm	in	mm	in	mm	in	mm	in	mm	in	mm	in	mm	in	mm	in	mm	in	mm	in
A	34.1	1.34	38	1.5	44	1.73	55	2.17	63.4	2.5	73.2	2.88	85.6	3.37	89.8	3.54	108	4.25	137.2	5.4	143	5.63	180	7.09
B	14.8	0.58	18.5	0.73	22.1	0.87	28.8	1.13	33.7	1.33	42	1.65	50.4	1.98	57.1	2.25	69.2	2.72	89.2	3.51	99.5	3.92	126	4.96
M	11	0.43	14	0.55	17.5	0.69	22	0.87	27.5	1.08	34	1.34	43.3	1.7	49	1.93	61	2.4	73.5	2.89	89.8	3.54	115.5	4.55
F	8.1	0.32	8.1	0.32	8.1	0.32	8.1	0.32	9.4	0.37	11.2	0.44	12.7	0.5	12.7	0.5	14.2	0.56	14.2	0.56	14.2	0.56	17.5	0.69

Tolerance: $\pm 0.5\text{mm}$ (1/8"~2")
 $\pm 0.8\text{mm}$ (2-1/2"~4")

EO 9001
BUREAU VERITAS
Certification



MARKE PERKIN
BUREAU VERITAS
Certification



TRD
100



Type
Approval
P-13548

CE CRN
0035 REGISTERED



ATEX
II 2 GD

TA-Luft ISO 15848 REACH
VDI 2440 LOW EMISSION (EC 1907/2006)

ROHS
2002/95/EC

8F., No.201, Sec. 2, Tiding Blvd., Neihu District, Taipei City 114, Taiwan R.O.C.
 TEL : +886-2-2658-5800 FAX : +886-2-2658-2266 / 2799-7766

[Http://www.haitima.com.tw](http://www.haitima.com.tw)
 E-mail : haitima@seed.net.tw