

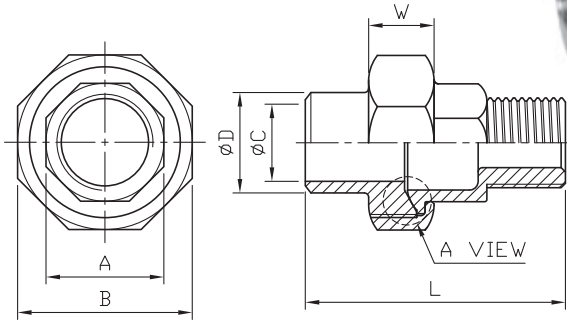
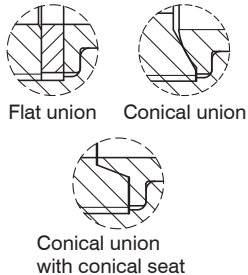
Union BW/M

F33

Class
150



A VIEW



1/8"~1/4" Hexagon
3/8"~1" Octagon
1-1/4"~3" Decagon

Standard Pattern

SIZE	1/8"		1/4"		3/8"		1/2"		3/4"		1"		1-1/4"		1-1/2"		2"		2-1/2"		3"	
	mm	in	mm	in	mm	in	mm	in	mm	in	mm	in	mm	in	mm	in	mm	in	mm	in	mm	in
L	46	1.81	46.4	1.83	47.7	1.88	53	2.09	60	2.36	66	2.6	72	2.83	73	2.87	77.6	3.06	97	3.82	112	4.41
A	17.2	0.68	17.2	0.68	20.3	0.8	26	1.02	30.6	1.2	38	1.5	47.3	1.86	53	2.09	66	2.6	83	3.27	96	3.78
B	28	1.1	28	1.1	34	1.34	39.2	1.54	46	1.81	55	2.17	63.5	2.5	71	2.8	85	3.35	105.5	4.15	123.7	4.87
C	6	0.24	9.4	0.37	12.6	0.5	16	0.63	21.5	0.85	27	1.06	35.6	1.4	41.5	1.63	52.7	2.07	67.5	2.66	80	3.15
W	12.2	0.48	12.2	0.48	15	0.59	15	0.59	15	0.59	17	0.67	20	0.79	20	0.79	20.8	0.82	24	0.94	28	1.1
D	13.5	0.53	16	0.63	17.2	0.68	21.5	0.85	27	1.06	33.7	1.33	42.7	1.68	48.5	1.91	60.5	2.38	76.5	3.01	89.5	3.52

Tolerance: $\pm 0.5\text{mm}$ (1/8"~2")
 $\pm 0.8\text{mm}$ (2-1/2"~3")



8F., No.201, Sec. 2, Tiding Blvd., Neihu District, Taipei City 114, Taiwan R.O.C.
TEL : +886-2-2658-5800 FAX : +886-2-2658-2266 / 2799-7766

[Http://www.haitima.com.tw](http://www.haitima.com.tw)
E-mail : haitima@seed.net.tw