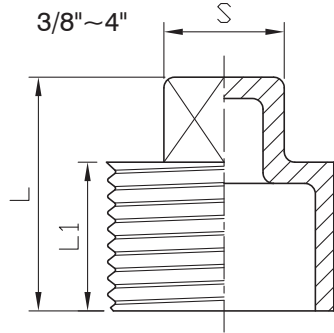
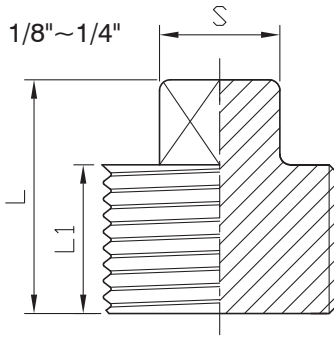


Square Plug

F16

Class
150



Standard Pattern

SIZE	L1		L		S	
	mm	in	mm	in	mm	in
1/8"	10.8	0.43	18	0.71	7.2	0.28
1/4"	11.6	0.46	19.6	0.77	8.1	0.32
3/8"	12	0.47	19.8	0.78	9.8	0.39
1/2"	14.7	0.58	24.8	0.98	13.2	0.52
3/4"	15.6	0.61	26.5	1.04	16	0.63
1"	19.6	0.77	33	1.3	19.1	0.75
1-1/4"	20.2	0.8	34.9	1.37	22	0.87
1-1/2"	19.7	0.78	34.5	1.36	25.1	0.99
2"	22.7	0.89	38.9	1.53	28.9	1.14
2-1/2"	26.7	1.05	46.5	1.83	39	1.54
3"	26.8	1.06	47	1.85	44	1.73
4"	30.7	1.21	52.5	2.07	58.2	2.29

Tolerance: $\pm 0.5\text{mm}$ (1/8"~2")
 $\pm 0.8\text{mm}$ (2-1/2"~4")



8F., No.201, Sec. 2, Tiding Blvd., Neihu District, Taipei City 114, Taiwan R.O.C.
 TEL : +886-2-2658-5800 FAX : +886-2-2658-2266 / 2799-7766

[Http://www.haitima.com.tw](http://www.haitima.com.tw)
 E-mail : haitima@seed.net.tw