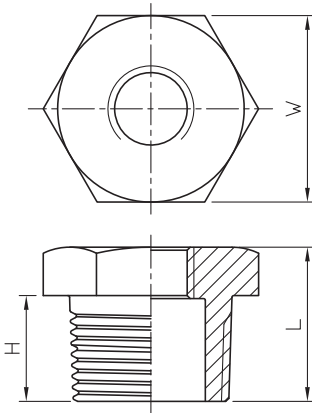


Hexagon Bushing

F12

Class 150



1/8"~2" Hexagon
2-1/2"~4" Octagon

Standard Pattern

SIZE		H		L		W	
		mm	in	mm	in	mm	in
1/4"	1/8"	12.5	0.49	17	0.67	17	0.67
	3/8"	13	0.51	17.5	0.69	20	0.79
1/2"	1/4"	13	0.51	17.5	0.69	20	0.79
	1/8"	16	0.63	22	0.87	25	0.98
	3/8"	16	0.63	22	0.87	25	0.98
3/4"	1/4"	16	0.63	22	0.87	25	0.98
	1/8"	17	0.67	23	0.91	29.5	1.16
	1/4"	17	0.67	23	0.91	29.5	1.16
	3/8"	17	0.67	23	0.91	29.5	1.16
1"	1/2"	17	0.67	23	0.91	29.5	1.16
	1/8"	20	0.79	27	1.06	36.5	1.44
	1/4"	20	0.79	27	1.06	36.5	1.44
	3/8"	20	0.79	27	1.06	36.5	1.44
	1/2"	20	0.79	27	1.06	36.5	1.44
1-1/4"	3/4"	20	0.79	27	1.06	36.5	1.44
	1/8"	22	0.87	30	1.18	45.5	1.79
	1/4"	22	0.87	30	1.18	45.5	1.79
	3/8"	22	0.87	30	1.18	45.5	1.79
	1/2"	22	0.87	30	1.18	45.5	1.79
	3/4"	22	0.87	30	1.18	45.5	1.79
1-1/2"	1"	22	0.87	30	1.18	45.5	1.79
	1/4"	22	0.87	30	1.18	50	1.97
	3/8"	22	0.87	30	1.18	50	1.97
	1/2"	22	0.87	30	1.18	50	1.97
	3/4"	22	0.87	30	1.18	50	1.97
	1"	22	0.87	30	1.18	50	1.97
1-1/4"	22	0.87	30	1.18	50	1.97	

SIZE		H		L		W	
		mm	in	mm	in	mm	in
2"	1/4"	23.5	0.93	33.5	1.32	62	2.44
	3/8"	23.5	0.93	33.5	1.32	62	2.44
	1/2"	23.5	0.93	33.5	1.32	62	2.44
	3/4"	23.5	0.93	33.5	1.32	62	2.44
	1"	23.5	0.93	33.5	1.32	62	2.44
	1-1/4"	23.5	0.93	33.5	1.32	62	2.44
2-1/2"	1-1/2"	23.5	0.93	33.5	1.32	62	2.44
	1/2"	28.5	1.12	39.5	1.56	78	3.07
	3/4"	28.5	1.12	39.5	1.56	78	3.07
	1"	28.5	1.12	39.5	1.56	78	3.07
	1-1/4"	28.5	1.12	39.5	1.56	78	3.07
	1-1/2"	28.5	1.12	39.5	1.56	78	3.07
3"	2"	28.5	1.12	39.5	1.56	78	3.07
	1/2"	28.5	1.12	40	1.57	91	3.58
	3/4"	28.5	1.12	40	1.57	91	3.58
	1"	28.5	1.12	40	1.57	91	3.58
	1-1/4"	28.5	1.12	40	1.57	91	3.58
	1-1/2"	28.5	1.12	40	1.57	91	3.58
4"	2"	28.5	1.12	40	1.57	91	3.58
	2-1/2"	28.5	1.12	40	1.57	91	3.58
	1/2"	30	1.18	44.5	1.75	117	4.61
	3/4"	30	1.18	44.5	1.75	117	4.61
	1"	30	1.18	44.5	1.75	117	4.61
	1-1/4"	30	1.18	44.5	1.75	117	4.61
	1-1/2"	30	1.18	44.5	1.75	117	4.61
	2"	30	1.18	44.5	1.75	117	4.61
2-1/2"	30	1.18	44.5	1.75	117	4.61	
3"	30	1.18	44.5	1.75	117	4.61	

Tolerance: $\pm 0.5\text{mm}$ (1/8"~2")
 $\pm 0.8\text{mm}$ (2-1/2"~4")



8F., No.201, Sec. 2, Tiding Blvd., Neihu District, Taipei City 114, Taiwan R.O.C.
TEL : +886-2-2658-5800 FAX : +886-2-2658-2266 / 2799-7766

[Http://www.haitima.com.tw](http://www.haitima.com.tw)
E-mail : haitima@seed.net.tw