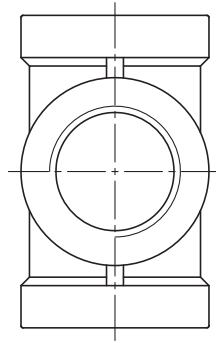
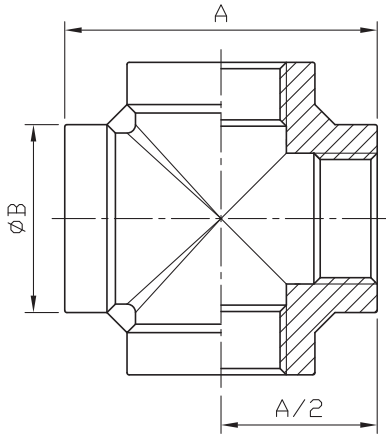


# CROSS

# F05

Class  
150



## Standard Pattern

SIZE	1/8"		1/4"		3/8"		1/2"		3/4"		1"		1-1/4"		1-1/2"		2"		2-1/2" (NPT)		2-1/2" (PS)		3"		4"	
	mm	in	mm	in	mm	in	mm	in	mm	in	mm	in	mm	in	mm	in	mm	in	mm	in	mm	in	mm	in	mm	in
A	34.1	1.34	38	1.5	44	1.73	55	2.17	63.4	2.5	73.2	2.88	85.6	3.37	89.8	3.54	108	4.25	128	5.04	137.2	5.4	143	5.63	180	7.09
B	14.8	0.58	18.5	0.73	22.1	0.87	28.8	1.13	33.7	1.33	42	1.65	50.4	1.98	57.1	2.25	69.2	2.72	85	3.35	89.2	3.51	99.5	3.92	126	4.96

Tolerance:  $\pm 0.5\text{mm}$ (1/8"~2")  
 $\pm 0.8\text{mm}$ (2-1/2"~4")



8F., No.201, Sec. 2, Tiding Blvd., Neihu District, Taipei City 114, Taiwan R.O.C.  
 TEL : +886-2-2658-5800 FAX : +886-2-2658-2266 / 2799-7766

[Http://www.haitima.com.tw](http://www.haitima.com.tw)  
 E-mail : [haitima@seed.net.tw](mailto:haitima@seed.net.tw)