



Description:

The HTXL series de-clutch override gear box were specially designed used for butterfly valve, ball valve and plug valve together with pneumatic actuators. This device allows for manual operation during installation, system testing and in the event of a supply air-failure.

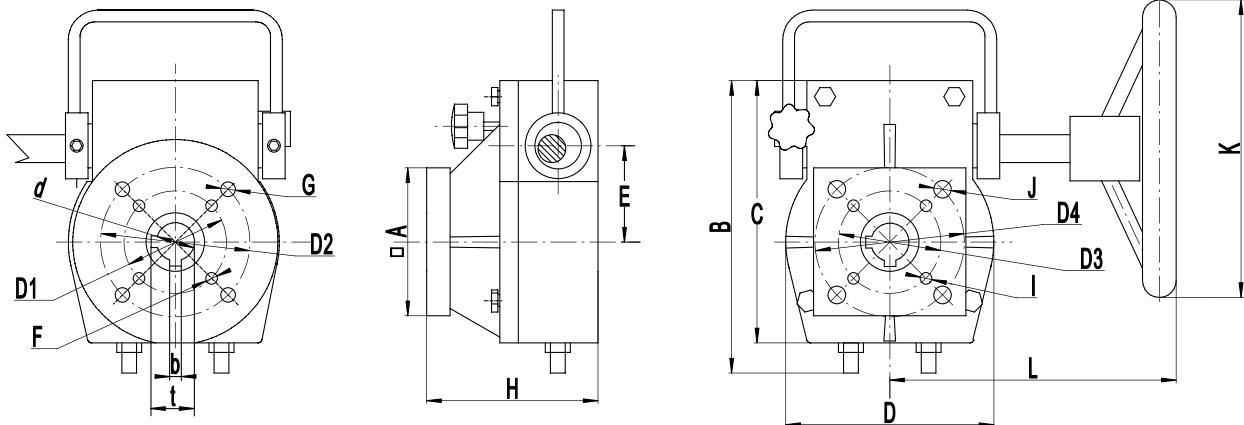
The HTXL Series mount directly to many of the most popular rack and pinion style actuators on the market, and does not require a bracket between the pneumatic actuator and de-clutch override. The units come complete with a coupler that connects the pneumatic actuator to the valve.

Specification

1. Compact and simply design, light in weight.
2. Manufactured with cast iron housing.
3. ISO-5211 direct mount patterns.
4. Easy for customer to choose relative position between gear operator and valve, with two keyway apart 90° in the inner hole of worm gear.
5. Easy to realize the manual drive or the pneumatic drive with the place-pin.
6. Weatherproof is IP65.
7. Output torque ranges from 300 to 22100N.m.

Technical Data

Model	Gear Ratio	Input Torque (N.m)	Output Torque (N.m)	Weight (Kg)
HTXL26	26:1	70	300	7.3
HTXL38	38:1	60	550	11.8
HTXL54	54:1	120	1200	17.3
HTXL80	80:1	140	2000	35
HTXL78A	78:1	200	3600	48.2
HTXL98	98:1	300	9000	156
HTXL100	100:1	400	13000	190
HTXL118	118:1	900	22100	540



Dimension Table

Model	d	b	t	D1	F	D2	G	A	H	E	D3	I	D4	J	K	L	B	C	D
HTXL26:1	22	6	25.4			70	M8	70	99	50.5			70	Φ9	Φ200	155	160	145	110
HTXL38:1	26	8	29.3	70	M8			100	117	65	70	Φ9			Φ200	195	195	175	140
	38	10	41.3			102	M10	110			102	Φ12							
HTXL54:1	38	10	41.3	125	M12			130	118	85	125	Φ14			Φ300	205	235	215	180
	48	14	51.8			140	M16				140	Φ18							
HTXL80:1	48	14	51.8	140	M16			156	148	124	140	Φ18			Φ400	245	320	298	250
	60	18	64.4			165	M20				165	Φ22							
HTXL78:1	60	18	64.4	165	M20			220	150	142	165	Φ22			Φ600	265	360	340	285
	80	18	84.4																
HTXL98:1	80	18	84.4	165	M20			230	195	229	165	Φ22			Φ800	410	550	530	460
HTXL100:1	100	20	105.3	254	M16			300	195	258	254	Φ18			Φ800	430	605	585	520
HTXL118:1	120	32	129.3	356	M30			Φ445	250	391	356	Φ32			Φ1000	550	900	870	800
	180	45	196	483	M36			Φ600	275	390	483	Φ39			Φ600	600	1050	900	850

Note: All dimensions are in mm. Dimensions for reference only, subject to change.