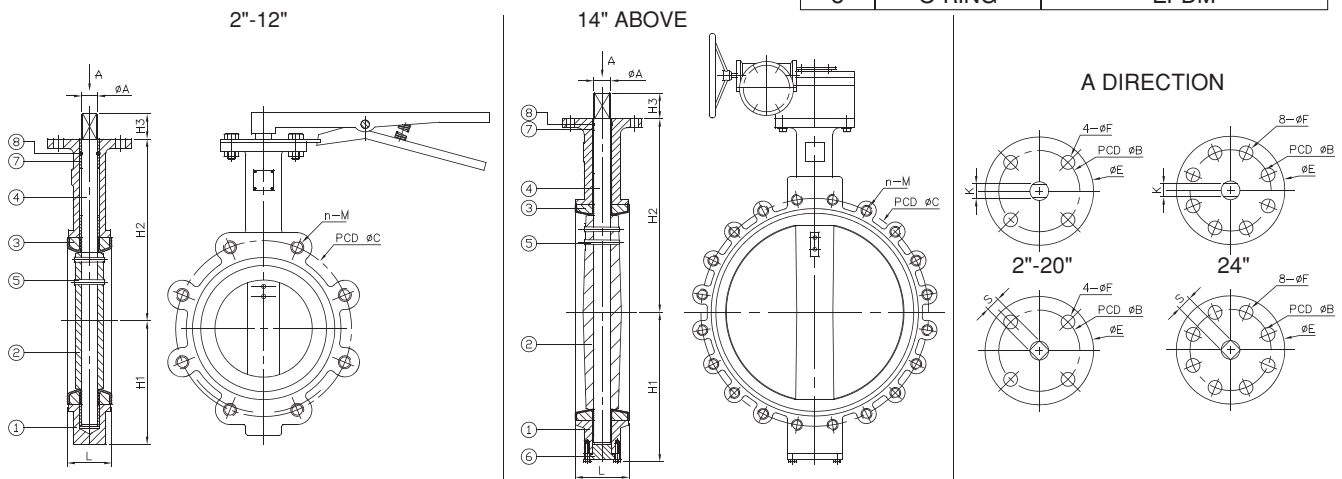




## FEATURES

- 2"~24" (DN50~DN600)
- W.P. : PN10/16  
CLASS 125/150  
JIS 10K
- Lug type
- Lever operator /  
Gear operator (option)
- High performance butterfly valve -  
2014H

ITEM	PARTS	MATERIAL
1	BODY	CI / DI
2	DISC	DI / AL-BRONZE / AISI 316
3	SEAT	EPDM / BUNA
4	STEM	AISI 416
5	TAPER PIN	STAINLESS STEEL
6	COVER	DI
7	BUSHING	PTFE
8	O-RING	EPDM



DN	H1	H2	H3	L	A	K	S	C	n	M	E	B	F	Torque (N-M)
50	76	76	30	45	12.7	10	9	120.5	4	5/8"-11	92	70	9	26.7
65	80	80	30	48	12.7	10	9	139.5	4	5/8"-11	92	70	9	37.3
80	95	95	30	49	12.7	10	9	152.5	4	5/8"-11	92	70	9	50.1
100	114	114	30	55	15.9	12	11	190.5	8	5/8"-11	92	70	9	92.3
125	127	127	30	58	19.05	14	14	216	8	3/4"-10	92	70	9	149.5
150	140	140	30	59	19.05	14	14	241.5	8	3/4"-10	92	70	9	222.8
200	173	173	36	64	22.2	17	17	298.5	8	3/4"-10	125	102	11	429
250	203	203	36	70	28.6	22	22	362	12	7/8"-9	125	102	11	711.1
300	237	237	36	80	31.8	24	22	432	12	7/8"-9	150	125	13	1034.3
350	279	279	45	80	31.8	24	22	476	12	1"-8	150	125	13	1216.8
400	304	304	51	90	33.3	27	22	539.5	16	1"-8	210	165	22	1726.4
450	362	362	51	109	38	27	27	578	16	1-1/8"-7	210	165	22	2234.7
500	368	368	64	135	41.15	32	27	635	20	1-1/8"-7	210	165	22	3193.6
600	444	444	70	156	50.65	36	36	749.5	20	1-1/4"-7	300	254	18	5765.5

NPS	H1	H2	H3	L	A	K	S	C	n	M	E	B	F	Torque (in-lb)
2"	2.99	6.38	1.18	1.77	0.5	0.39	0.35	4.74	4	5/8"-11	3.62	2.76	0.35	236.6
2-1/2"	3.15	6.89	1.18	1.89	0.5	0.39	0.35	5.49	4	5/8"-11	3.62	2.76	0.35	330.2
3"	3.74	7.13	1.18	1.93	0.5	0.39	0.35	6	4	5/8"-11	3.62	2.76	0.35	443
4"	4.49	7.87	1.18	2.17	0.63	0.47	0.43	7.5	8	5/8"-11	3.62	2.76	0.35	816.9
5"	5	8.39	1.18	2.28	0.75	0.55	0.55	8.5	8	3/4"-10	3.62	2.76	0.35	1323.2
6"	5.51	8.86	1.18	2.32	0.75	0.55	0.55	9.51	8	3/4"-10	3.62	2.76	0.35	1972.1
8"	6.81	10.24	1.42	2.52	0.87	0.67	0.67	11.75	8	3/4"-10	4.92	4.02	0.43	3797
10"	7.99	11.5	1.42	2.76	1.13	0.87	0.87	14.25	12	7/8"-9	4.92	4.02	0.43	6293.7
12"	9.33	13.27	1.42	3.15	1.25	0.94	0.87	17.01	12	7/8"-9	5.91	4.92	0.51	9154.1
14"	10.98	14.49	1.77	3.15	1.25	0.94	0.87	18.74	12	1"-8	5.91	4.92	0.51	10769.5
16"	11.97	15.75	2.01	3.54	1.31	1.06	0.87	21.24	16	1"-8	8.27	6.5	0.87	15279.8
18"	14.25	16.61	2.01	4.29	1.5	1.06	1.06	22.76	16	1-1/8"-7	8.27	6.5	0.87	19778.7
20"	14.49	18.86	2.52	5.31	1.62	1.26	1.06	25	20	1-1/8"-7	8.27	6.5	0.87	28265.4
24"	17.48	22.13	2.76	6.14	1.99	1.42	1.42	29.51	20	1-1/4"-7	11.81	10	0.71	51028.7

unit:mm

8F., No.201, Sec. 2, Tiding Blvd., Neihu District, Taipei City 114, Taiwan R.O.C.  
 TEL : +886-2-2658-5800 FAX : +886-2-2658-2266 / 2799-7766

[Http://www.haitima.com.tw](http://www.haitima.com.tw)  
 E-mail : [haitima@seed.net.tw](mailto:haitima@seed.net.tw)