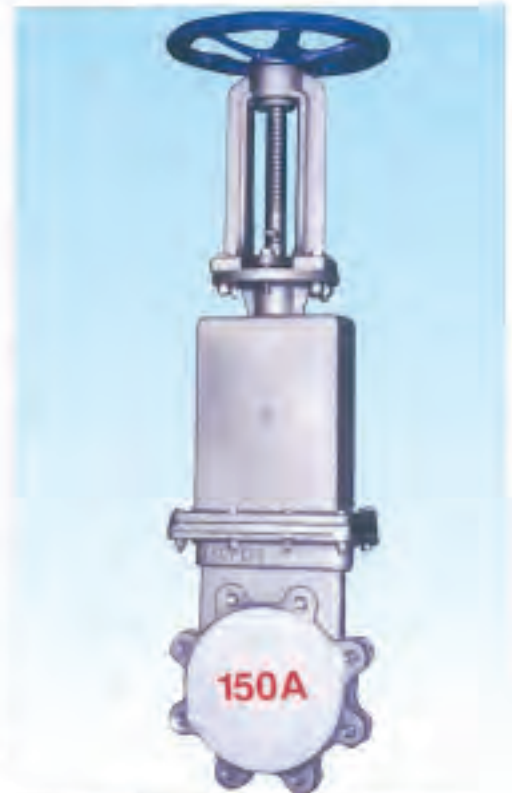
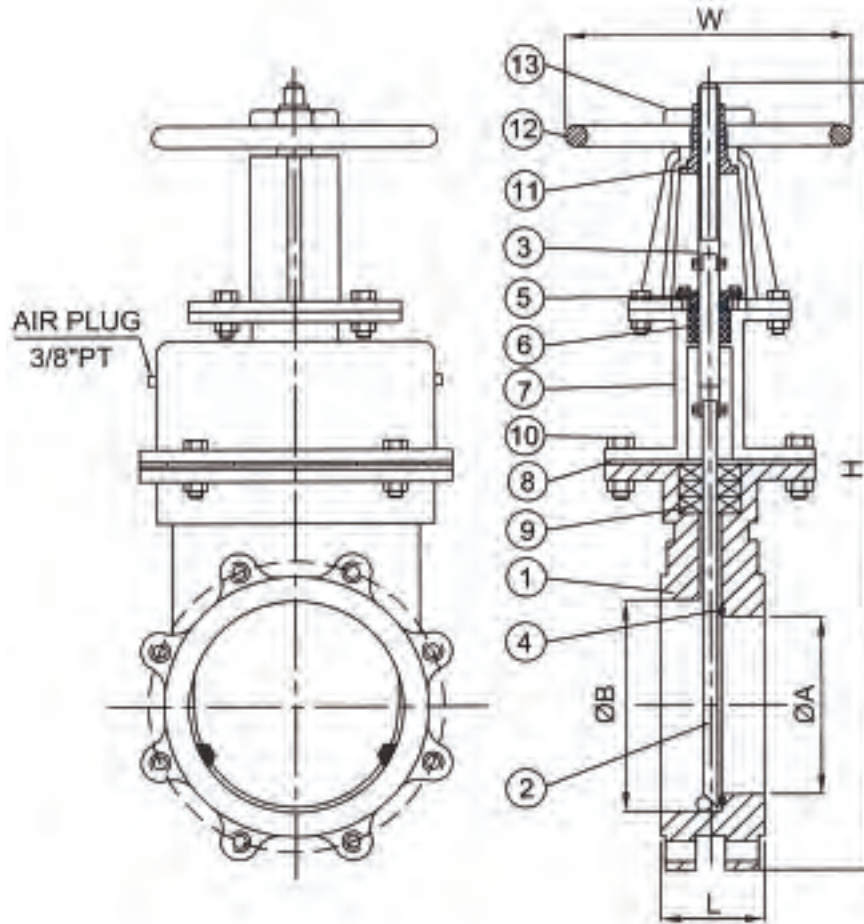


MANUAL TYPE CAST IRON KNIFE GATE VALVE

2092-II

CONNECTION RATING:
JIS 5K JIS 10K JIS7.5K
ANSI 150#
DIN PN10 PN16



MSS-SP81 TEST STANDARD:
BODY TEST: 11kg/cm² (WATER)
SEAT TEST: 2.8kg/cm² (WATER)
LEAKAGE: 4 cc/per in.min.

13	NUT	CAST IRON
12	HAND WHEEL	CAST IRON
11	SLEEVE	FCD
10	BOLT	SUS304
9	PACKING	TEFLON
8	PLATE	BC8, AL ALLOY
7	BONNET	CF8
6	GLAND PACKING	PTFE
5	GLAND	CF8
4	SEAT	PTEF/METAL
3	STEM	SUS304 / 410
2	SHUT PLATE	CF8 / CF8M
1	BODY	CF8 / CF8M
NO.	SUBJECT	MATERIAL

(FOR REFERENCE ONLY)

DIMENSION TABLE : MM

SIZE	L	ØA	ØB	W	H
2"	48	42	64	190	570
2-1/2"	51	57	80	190	585
3"	51	72	95	190	650
4"	51	98	122	220	720
5"	57	123	148	290	870
6"	57	150	175	290	950
8"	70	195	225	350	1200
10"	70	250	275	350	1370
12"	78	300	325	408	1560
14"	78	350	375	406	1700
18"	89	400	430	500	2000
18"	89	435	475	500	2200
20"	114	480	515	500	2700

(FOR REFERENCE ONLY)

MATERIAL:

	BODY	PLATE	SEAT	GLAND-PACKING
MATERIAL	FC	SUS304	TEFLON	NON-ASB+PTFE
	WCB	SUS316	METAL	TEFLON
	SCS13	SUS304L	VITON	NON ASBESTOS
	SCS14	SUS316L	EPDM	
	SCS16			

TEMPERATURE:

MATERIAL	TEM. RANGE
SILICON	-20° ~ 150°C
VITON	-20° ~ 250°C
TEFLON	-30° ~ 150°C
NON ASBESTOS	-50° ~ 550°C