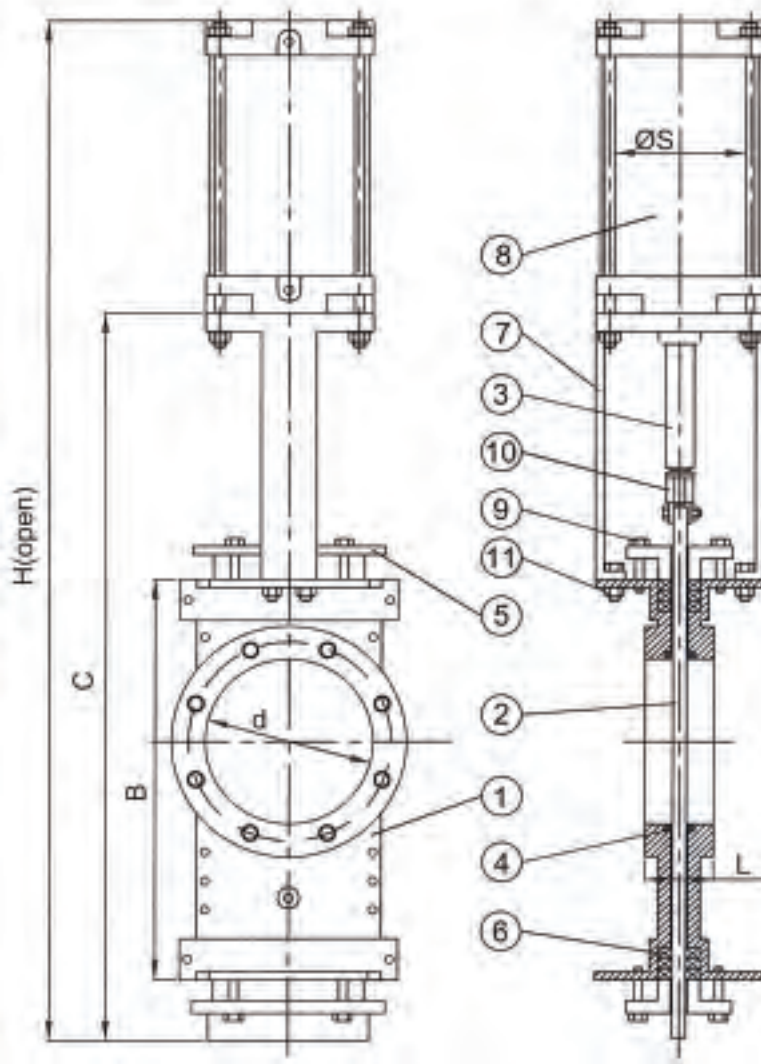


PNEUMATIC TYPE CAST IRON KNIFE GATE VALVE

2092-10

CONNECTION RATING:
 JIS 5K JIS 10K JIS7.5K
 ANSI 150#
 DIN PN10 PN16



MSS-SP81 TEST STANDARD:
 BODY TEST: 11kg/cm² (WATER)
 SEAT TEST: 2.8kg/cm² (WATER)
 LEAKAGE: 40cc/per in. min.

11	NUT	MILD STEEL
10	CONNECTER	SUS304
9	BOLT NUT	MILD STEEL
8	ACTUATOR	AL ALLOY.FC
7	YOKE	FC FCD
6	GLAND PACKING	NON-ASB
5	GLAND	CAST IRON
4	SEAT	TEFLON.METAL
3	STEM	SS41+HCr
2	PLATE	SUS304 /316
1	BODY	FC/FCD
NO.	SUBJECT	MATERIAL

(FOR REFERENCE ONLY)

DIMENSION TABLE : MM

SIZE	d	L	B	C	H	ØS
4"	95	50	360	590	980	80
5"	122	50	426	640	1170	125
6"	140	60	458	720	1300	125
8"	188	60	450	870	1630	150
10"	240	70	668	1020	1920	180
12"	293	70	800	1120	2160	200
14"	320	70	930	1290	2500	250
16"	360	90	990	1580	2710	250
18"	430	90	1180	1730	3320	250
20"	490	110	1340	2000	3560	300
24"	545	110	1560	2350	3755	300

(FOR REFERENCE ONLY.)

MATERIAL:

	BODY	PLATE	SEAT	GLAND PACKING
MATERIAL	FC	SUS304	MATL	NON-ASB+PTFE
	WCB	SUS316		TEFLON
	SCS13	SUS304L		NON ASBESTOS
	SCS14	SUS316L		
	SCS16			

TEMPERATURE:

MATERIAL	TEM. RANGE
SILICON	-20° ~ 150°C
VITON	-20° ~ 250°C
TEFLON	-30° ~ 150°C
NON ASBESTOS	-50° ~ 550°C