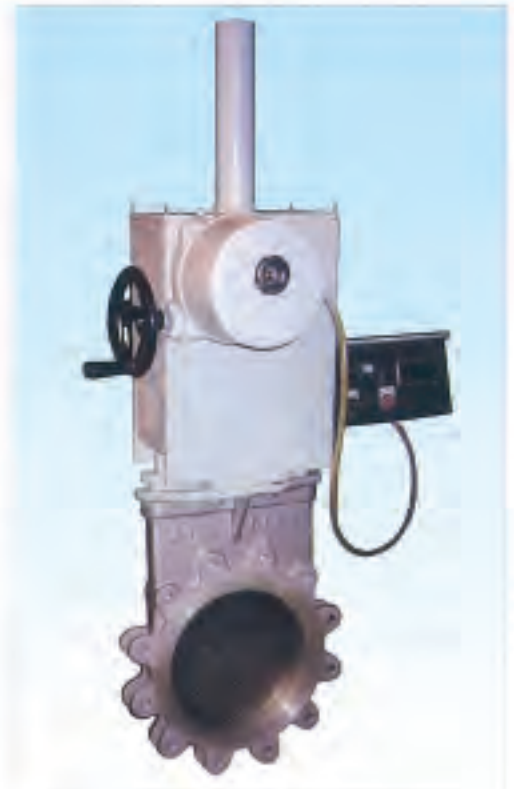
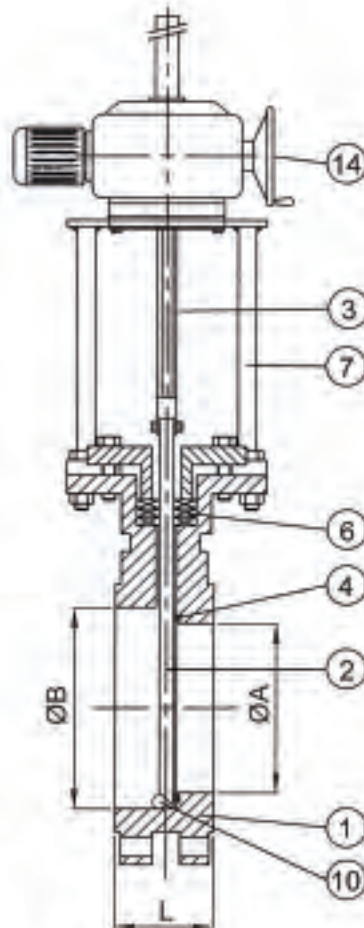
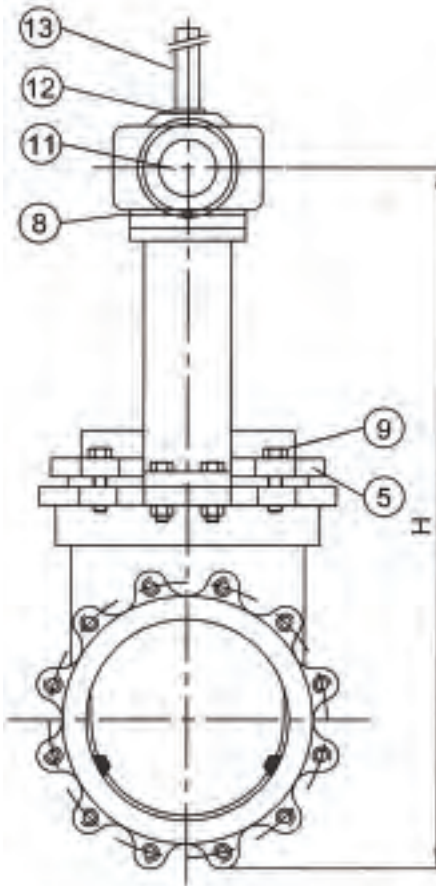


## ELECTRIC MOTOR TYPE KNIFE GATE VALVE

### 2092-05

CONNECTION RATING:  
 JIS 5K JIS 10K JIS7.5K  
 ANSI 150LB  
 DIN PN10 PN16



MSS-SP81 TEST STANDARD:  
 BODY TEST: 11kg/cm<sup>2</sup> (WATER)  
 SEAT TEST: 2.8kg/cm<sup>2</sup> (WATER)  
 LEAKAGE: 4 cc/per in.min.

14	HAND WHEEL	CAST IRON
13	TUBE	CARBON STEEL
12	MOTOR	AL ALLOY
11	GEAR	SS41
10	PAWLS	SUS304.316.317
9	BOLT NUT	SUS304
8	YOKE SLEEVE	DUCTILE IRON
7	YOKE	SS400
6	GLAND PACKING	TEFLON
5	GLAND	SUS304
4	SEAT	TEFLON
3	STEM	SUS410.304.316.316L
2	PLATE	SUS304.316.316L
1	BODY	CF8.CF8M.CF3M
NO	SUBJECT	MATERIAL

( FOR REFERENCE ONLY. )

#### DIMENSION TABLE : MM

SIZE	L	ØA	ØB	H
2"	48	42	84	420
2-1/2"	51	57	80	430
3"	51	72	95	430
4"	51	95	120	520
5"	57	125	148	640
6"	57	150	175	680
8"	70	195	222	780
10"	70	250	275	950
12"	76	300	325	1150
14"	76	350	375	1230
16"	89	400	430	1420
18"	89	435	475	1600
20"	114	480	515	1700
24"	114	580	620	1970

( FOR REFERENCE ONLY. )

#### MATERIAL:

	BODY	PLATE	SEAT	GLAND PACKING
MATERIAL	CF8	SUS304	TEFLON	NON-ASB+PTFE
	CF8M	SUS316	METAL	TEFLON
	CF3M	SUS304L	VITON	NON ASBESTOS
		SUS316L	EPDM	

#### TEMPERATURE:

MATERIAL	TEM. RANGE
SILICON	-20° ~ 150°C
VITON	-20° ~ 250°C
TEFLON	-30° ~ 150°C
NON ASBESTOS	-50° ~ 550°C