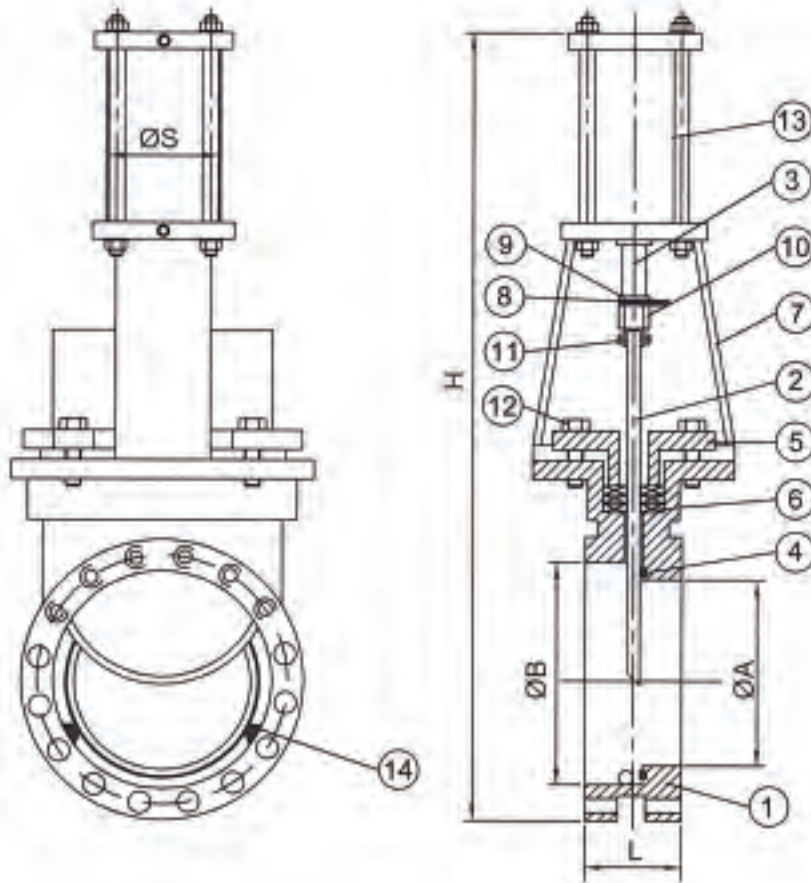


## PNEUMATIC TYPE KNIFE GATE VALVE

### 2092-03

CONNECTION RATING:  
 JIS 5K JIS 10K JIS7.5K  
 ANSI 150#  
 DIN PN10 PN16



MSS-SP81 TEST STANDARD:  
 BODY TEST: 11kg/cm<sup>2</sup> (WATER)  
 SEAT TEST: 2.8kg/cm<sup>2</sup> (WATER)  
 LEAKAGE: 4 cc/per in.min.

**DIMENSION TABLE : MM**

14	PAWLS	CAST IRON
13	ACTUATOR	AL ALLOY.FC
12	BOLT AND NUT	MILD STEEL
11	CONNECTER	SUS304
10	NUT	SUS304
9	NUT	SUS304
8	POINTER	SUS304
7	YOKE	DUCTILE IRON
6	GLAND PACKING	NON-ASB
5	GLAND	CAST IRON
4	SEAT	TEFLON
3	STEM	SS41+HCr
2	SHUT PLATE	SUS304
1	BODY	FC.FCD
NO.	SUBJECT	MATERIAL

[FOR REFERENCE ONLY.]

SIZE	L	ØA	ØB	ØS	H
2"	55	42	64	83	590
2-1/2"	55	57	80	83	600
3"	55	72	95	80	650
4"	55	92	114	80	720
5"	60	116	141	125	870
6"	60	138	161	125	940
8"	70	192	213	150	1190
10"	75	232	261	180	1440
12"	80	280	315	200	1560
14"	80	345	376	250	1840
16"	90	395	425	250	2060
18"	95	445	480	250	2200
20"	120	490	520	300	2460
24"	120	590	630	300	2750

[FOR REFERENCE ONLY.]

**MATERIAL:**

	BODY	PLATE	SEAT	GLAND PACKING
MATERIAL	FC	SUS304	TEFLON	NON-ASB+PTFE
	FCD	SUS316	METAL	TEFLON
		SUS304L	VITON	NON ASBESTOS
		SUS316L	EPDM	

**TEMPERATURE:**

MATERIAL	TEM. RANGE
SILICON	-20° ~ 150°C
VITON	-20° ~ 250°C
TEFLON	-30° ~ 150°C
NON ASBESTOS	-50° ~ 550°C