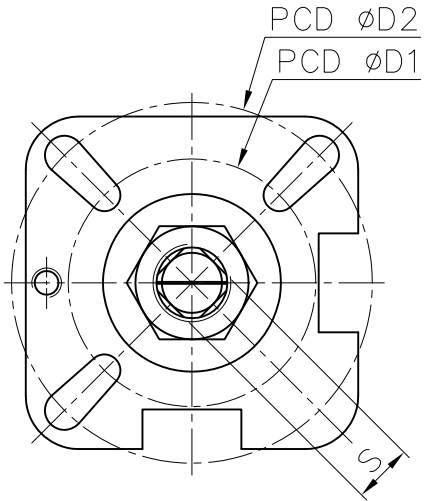


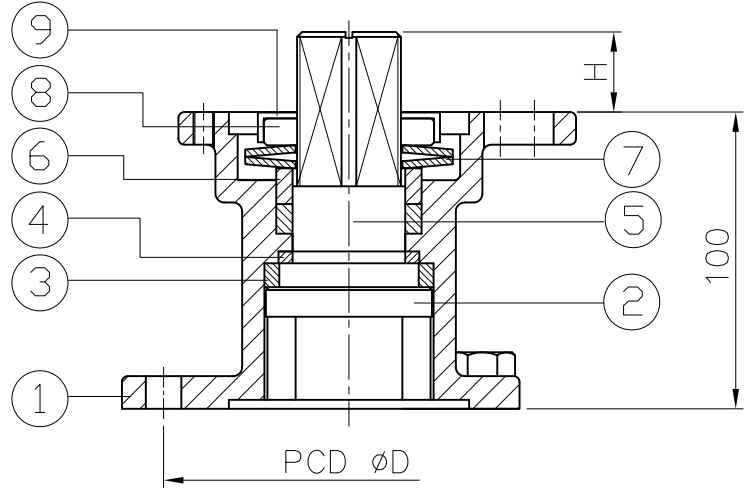
Ra	0.2	▽▽▽
	1.6	▽▽
	6.3	▽
	25	▽
GENERAL TOLERANCE	±0.1	±0.2
	±0.2	±0.3
	±0.3	±0.5
	±0.5	±0.8
	0.5~5	6~30
	31~120	121~320
	321~1000	±0.8



ITEM	PARTS	MATERIAL
1	BODY	ASTM A351-CF8
2	STEM	AISI 304
3	THRUST WASHER A	EK
4	THRUST WASHER B	PTFE
5	PACKING	
6	GLAND RING	AISI 304
7	BELLEVILLE WASHER	AISI 301
8	NUT	AISI 304
9	LOCK WASHER	

MODEL	D	D1	D2	S	H
SE-F04	42	36	42	9	9
SE-F05	50	42	50	11	11
SE-F07	70	50	70	14	14
SE-F10	102	70	102	17	17
SE-F12	125	102	125	22	22
SE-F12	125	102	125	27	27

unit:mm

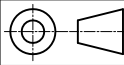


HAITIMA CORPORATION
 P.O.BOX 34-36 TAIPEI
 Tel:886-2-26585800
 E-mail: haitima@ms8.hinet.net
 TAIWAN R.O.C. www.haitima.com.tw
 Fax:886-2-26582266



HAITIMA CORPORATION
 Ball Valves

CHECK BY	DRAWING BY	DATE	SPECIFICATION	Stem Extension
	<i>Dune</i>	Apr.15.2011	MATERIAL	ASTM A351-CF8
			PROCESS/Nr.	
			UNIT / SCALE	mm



△			
△			
△			
Revise	Description	Date	Approve
DRAWING NO.			
STEM EXTENSION-00 - HDC			