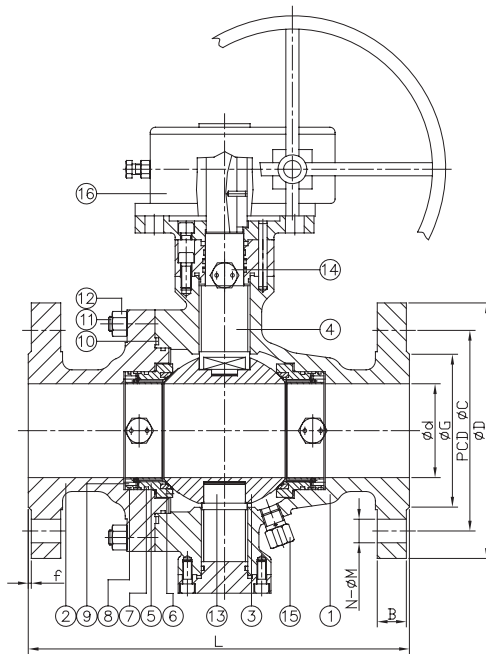




FEATURES

- Full port, 2"~20" (DN50~DN500)
- W.P. : PN 16/40
CLASS 150/300/600/900
- W.T. : -20°C~200°C (-4°F~392°F)
- Investment casting
- Blow-out proof stem
- Anti-static device
- ISO 5211 Direct mounting pad

- Flange dimension:
ASME B16.5 CLASS 150/300/600
EN 1092-1
- Face to face:
ASME B16.10 CLASS 150/300/600
DIN 2501



| ITEM | PARTS | MATERIAL | |
|------|----------------|----------------|--------------------------------|
| 1 | BODY | | |
| 2 | CAP | ASTM A351-CF8M | ASTM A216-WCB |
| 3 | BALL | | |
| 4 | STEM | ASTM A182-F316 | ASTM A105+ENP ASTM A182-F6a |
| 5 | SEAT RETAINER | SS 316 | ASTM A105+ENP |
| 6 | SEAT RING | | RTFE |
| 7 | O-RING | | VITON |
| 8 | FIRE SAFE RING | | KNIT-GRAPHITE |
| 9 | SPRING | | INCONEL X 750 |
| 10 | GASKET | | SS 316+GRAPHITE |
| 11 | STUD | ASTM A193-B8M | ASTM A193-B7 |
| 12 | HEX NUT | ASTM A194-8M | ASTM A194-2H |
| 13 | DOWN STEM | ASTM A182-F316 | ASTM A182-F6a |
| 14 | INJECTION | 316 | AISI 1025+Zn |
| 15 | VENT VALVE | | |
| 16 | GEAR BOX | | |

CLASS 150/300 ONLY, OTHER PRESSURE RATING PLEASE CONTACT US.

| DN | d | CLASS 150 | | | | | | | | | | CLASS 300 | | | | | | | |
|-----|-----|-----------|-----|-------|-------|------|---|----|------|-----|-----|-----------|-------|-------|------|----|------|----|--|
| | | L | D | C | G | B | f | N | M | L | D | C | G | B | f | N | M | | |
| 100 | 100 | - | - | - | - | - | - | - | - | - | 305 | 255 | 200 | 157.2 | 30.2 | 2 | 8 | 22 | |
| 150 | 150 | 394 | 280 | 241.3 | 215.9 | 23.9 | 2 | 8 | 22 | 403 | 320 | 269.9 | 215.9 | 35 | 2 | 12 | 22 | | |
| 200 | 201 | 457 | 345 | 298.5 | 269.9 | 27 | 2 | 8 | 22 | 502 | 380 | 330.2 | 269.9 | 39.7 | 2 | 12 | 25.4 | | |
| 250 | 252 | 533 | 405 | 362 | 323.8 | 28.6 | 2 | 12 | 25.4 | 568 | 445 | 387.4 | 323.8 | 46.1 | 2 | 16 | 28 | | |
| 300 | 303 | 610 | 485 | 431.8 | 381 | 30.2 | 2 | 12 | 25.4 | 648 | 520 | 450.8 | 381 | 49.3 | 2 | 16 | 32 | | |
| 350 | 334 | 686 | 535 | 476.3 | 412.8 | 33.4 | 2 | 12 | 28.6 | 762 | 585 | 514.4 | 412.8 | 52.4 | 2 | 20 | 32 | | |
| 400 | 385 | 762 | 595 | 539.8 | 469.9 | 35 | 2 | 16 | 28.6 | 838 | 650 | 571.5 | 469.9 | 55.6 | 2 | 20 | 35 | | |
| 450 | 436 | 864 | 635 | 577.9 | 533.4 | 38.1 | 2 | 16 | 32 | 914 | 710 | 628.6 | 533.4 | 58.8 | 2 | 24 | 35 | | |
| 500 | 487 | 914 | 700 | 635 | 584.2 | 41.3 | 2 | 20 | 32 | 991 | 775 | 685.8 | 584.2 | 62 | 2 | 24 | 35 | | |

unit:mm

| NPS | d | CLASS 150 | | | | | | | | | | CLASS 300 | | | | | | | |
|-----|-------|-----------|-------|-------|-------|------|------|----|------|-------|-------|-----------|-------|------|------|------|------|------|--|
| | | L | D | C | G | B | f | N | M | L | D | C | G | B | f | N | M | | |
| 4" | 3.94 | - | - | - | - | - | - | - | - | - | 12.01 | 10.04 | 7.87 | 6.19 | 1.19 | 0.08 | 8 | 0.87 | |
| 6" | 5.91 | 15.51 | 11.02 | 9.5 | 8.5 | 0.94 | 0.08 | 8 | 0.87 | 15.87 | 12.6 | 10.63 | 8.5 | 1.38 | 0.08 | 12 | 0.87 | | |
| 8" | 7.91 | 17.99 | 13.58 | 11.75 | 10.63 | 1.06 | 0.08 | 8 | 0.87 | 19.76 | 14.96 | 13 | 10.63 | 1.56 | 0.08 | 12 | 1 | | |
| 10" | 9.92 | 20.98 | 15.94 | 14.25 | 12.75 | 1.13 | 0.08 | 12 | 1 | 22.36 | 17.52 | 15.25 | 12.75 | 1.81 | 0.08 | 16 | 1.1 | | |
| 12" | 11.93 | 24.02 | 19.09 | 17 | 15 | 1.19 | 0.08 | 12 | 1 | 25.51 | 20.47 | 17.75 | 15 | 1.94 | 0.08 | 16 | 1.26 | | |
| 14" | 13.15 | 27.01 | 21.06 | 18.75 | 16.25 | 1.31 | 0.08 | 12 | 1.13 | 30 | 23.03 | 20.25 | 16.25 | 2.06 | 0.08 | 20 | 1.26 | | |
| 16" | 15.16 | 30 | 23.43 | 21.25 | 18.5 | 1.38 | 0.08 | 16 | 1.13 | 32.99 | 25.59 | 22.5 | 18.5 | 2.19 | 0.08 | 20 | 1.38 | | |
| 18" | 17.17 | 34.02 | 25 | 22.75 | 21 | 1.5 | 0.08 | 16 | 1.26 | 35.98 | 27.95 | 24.75 | 21 | 2.31 | 0.08 | 24 | 1.38 | | |
| 20" | 19.17 | 35.98 | 27.56 | 25 | 23 | 1.63 | 0.08 | 20 | 1.26 | 39.02 | 30.51 | 27 | 23 | 2.44 | 0.08 | 24 | 1.38 | | |

unit:in

