



# 2-PC. FLANGED END BALL VALVE

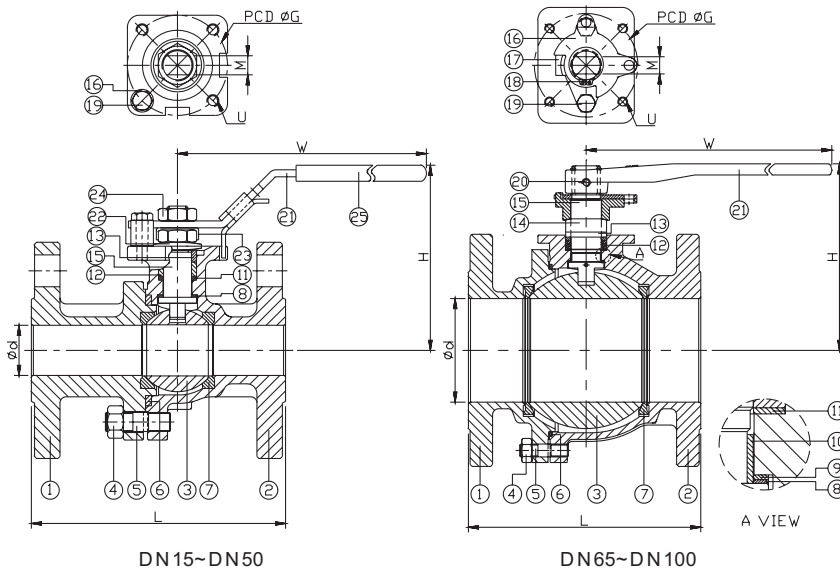
# 2020N

## FEATURES



- Full port, 1/2"~12" (DN15~DN300)
- W.P. : CLASS 150/300
- W.T. : -20°C~200°C (-4°F~392°F)
- Investment casting
- Blow-out proof stem
- Anti-static device (option)
- Locking device
- ISO 5211 Mounting pad
- **API 607 Fire safe approved**

- Flange dimension: ASME B16.5
- Face to face: ASME B16.10



| ITEM | PARTS               | MATERIAL        |
|------|---------------------|-----------------|
| 1    | CAP                 | ASTM A351-CF8M  |
| 2    | BODY                | ASTM A216-WCB   |
| 3    | BALL                | ASTM A351-CF8M  |
| 4    | NUT                 | AISI 304        |
| 5    | BOLT                | AISI 304        |
| 6    | SEAL                | GRAPHITE        |
| 7    | SEAT                | PTFE            |
| 8    | THRUST WASHER 1     | CTFE            |
| 9    | THRUST WASHER 2     | PTFE            |
| 10   | THRUST WASHER 3     | PTFE            |
| 11   | PAKING 1            | GRAPHITE        |
| 12   | PAKING 2            | GRAPHITE        |
| 13   | GLAND RING 1        | AISI 304        |
| 14   | GLAND RING 2        | AISI 304        |
| 15   | STEM                | ASTM A276-316   |
| 16   | STOPPER             | AISI 304        |
| 17   | GLAND               | ASTM A351-CF8M  |
| 18   | CIRCLIPS FOR SHAFTS | AISI 304        |
| 19   | BOLT                | AISI 304        |
| 20   | SOCKET SET SCREWS   | AISI 304        |
| 21   | HANDLE              | STAINLESS STEEL |
| 22   | BELLEVILLE WASHER   | AISI 301        |
| 23   | LOCKING WASHER      | AISI 304        |
| 24   | STEM NUT            | AISI 304        |
| 25   | HANDLE SLEEVE       | PVC             |

| DN  | d    | CLASS 150 |       |     | CLASS 300 |      |     | M   | G   | U       | Torque (N-M) |
|-----|------|-----------|-------|-----|-----------|------|-----|-----|-----|---------|--------------|
|     |      | L         | H     | W   | L         | H    | W   |     |     |         |              |
| 15  | 15   | 108       | 74.5  | 165 | 140       | 74.5 | 165 | 6.3 | 42  | M5*0.8  | 3.4          |
| 20  | 20   | 117       | 77.5  | 165 | 152       | 77.5 | 165 | 6.3 | 42  | M5*0.8  | 5.4          |
| 25  | 25   | 127       | 90.6  | 199 | 165       | 90.6 | 199 | 8   | 50  | M6*1    | 6.9          |
| 32  | 32   | 140.2     | 93.5  | 199 | 178       | 93.5 | 199 | 8   | 50  | M6*1    | 14.7         |
| 40  | 38   | 165       | 108   | 248 | 190       | 108  | 248 | 9.5 | 70  | M8*1.25 | 32           |
| 50  | 50   | 178       | 124   | 262 | 216       | 124  | 262 | 9.5 | 70  | M8*1.25 | 32           |
| 65  | 65   | 190       | 155   | 328 | 241       | 168  | 400 | 17  | 102 | M10*1.5 | 40           |
| 80  | 76.5 | 203       | 160   | 328 | 282       | 173  | 400 | 17  | 102 | M10*1.5 | 48           |
| 100 | 102  | 229       | 181.6 | 328 | 305       | 195  | 400 | 17  | 102 | M10*1.5 | 58           |

unit:mm

| NPS    | d    | CLASS 150 |      |       | CLASS 300 |      |       | M    | G    | U       | Torque (in-lb) |
|--------|------|-----------|------|-------|-----------|------|-------|------|------|---------|----------------|
|        |      | L         | H    | W     | L         | H    | W     |      |      |         |                |
| 1/2"   | 0.59 | 4.25      | 2.93 | 6.5   | 5.51      | 2.93 | 6.5   | 0.25 | 1.65 | M5*0.8  | 30.1           |
| 3/4"   | 0.79 | 4.61      | 3.05 | 6.5   | 5.98      | 3.05 | 6.5   | 0.25 | 1.65 | M5*0.8  | 47.8           |
| 1"     | 0.98 | 5         | 3.57 | 7.83  | 6.5       | 3.57 | 7.83  | 0.31 | 1.97 | M6*1    | 61.1           |
| 1-1/4" | 1.26 | 5.52      | 3.68 | 7.83  | 7.01      | 3.68 | 7.83  | 0.31 | 1.97 | M6*1    | 130.1          |
| 1-1/2" | 1.5  | 6.5       | 4.25 | 9.76  | 7.48      | 4.25 | 9.76  | 0.37 | 2.76 | M8*1.25 | 283.2          |
| 2"     | 1.97 | 7.01      | 4.88 | 10.31 | 8.5       | 4.88 | 10.31 | 0.37 | 2.76 | M8*1.25 | 283.2          |
| 2-1/2" | 2.56 | 7.48      | 6.1  | 12.91 | 9.49      | 6.61 | 15.75 | 0.67 | 4.02 | M10*1.5 | 354            |
| 3"     | 3.01 | 7.99      | 6.3  | 12.91 | 11.1      | 6.61 | 15.75 | 0.67 | 4.02 | M10*1.5 | 424.8          |
| 4"     | 4.02 | 9.02      | 7.15 | 12.91 | 12.01     | 7.68 | 15.75 | 0.67 | 4.02 | M10*1.5 | 513.3          |

unit:in



8F., No.201, Sec. 2, Tiding Blvd., Neihu District, Taipei City 114, Taiwan R.O.C.  
 TEL : +886-2-2658-5800 FAX : +886-2-2658-2266 / 2799-7766

[Http://www.haitima.com.tw](http://www.haitima.com.tw)  
 E-mail : [haitima@seed.net.tw](mailto:haitima@seed.net.tw)