



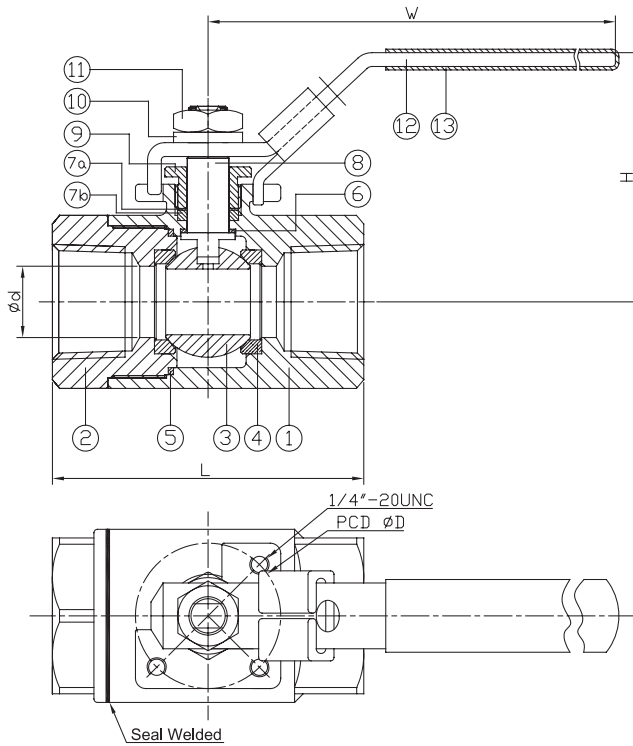
HIGH PRESSURE BALL VALVE

2007W21



FEATURES

- Standard port, 1/4"~2" (DN8~DN50)
- W.P. : 2160 WOG
- W.T. : -20°C~200°C (-4°F~392°F)
- Investment casting
- Blow-out proof stem
- Anti-static device (option)
- Locking device
- ISO 5211 mounting pad
- Seal welded ends
- **ASME B16.34 Wall thickness**
- **NACE MR0175**
- Thread type : ASME B1.20.1 (NPT)
DIN2999 & BS21
ISO7/1 & EN10226



ITEM	PARTS	MATERIAL
1	BODY	ASTM A351-CF8M
2	CAP	
3	BALL	
4	SEAT	RTFE
5	SEAL	GRAPHITE
6	THRUST WASHER	CTFE
7a	PACKING	
7b	PACKING	GRAPHITE
8	STEM	ASTM A276-316
9	GLAND NUT	AISI 304
10	SPRING WASHER	
11	NUT	
12	HANDLE	STAINLESS STEEL
13	HANDLE SLEEVE	PVC

DN	L	W	H	d	D
8	67	123	57.3	11	36
10	67	123	57.3	11	36
15	67	123	57.3	11	36
20	78.3	144	68.3	15	42
25	90	144	71.7	20	50
40	108	140	91.5	31.8	50
50	125.6	140	90	38	50

unit:mm

NPS	L	W	H	d	D
1/4"	2.64	4.84	2.26	0.43	1.42
3/8"	2.64	4.84	2.26	0.43	1.42
1/2"	2.64	4.84	2.26	0.43	1.42
3/4"	3.08	5.67	2.69	0.59	1.65
1"	3.54	5.67	2.82	0.79	1.97
1-1/2"	4.25	5.51	3.6	1.25	1.97
2"	4.94	5.51	3.54	1.5	1.97

unit:in



8F., No.201, Sec. 2, Tiding Blvd., Neihu District, Taipei City 114, Taiwan R.O.C.
TEL : +886-2-2658-5800 FAX : +886-2-2658-2266 / 2799-7766

[Http://www.haitima.com.tw](http://www.haitima.com.tw)
E-mail : haitima@seed.net.tw